



Operator's Manual

**PRO
Line**

Rear-tine Tiller Models

644H—Bronco™

645A—Bronco™



Model 644H Shown (bumper styles vary)

IMPORTANT: READ SAFETY RULES AND INSTRUCTIONS CAREFULLY

Warning: This unit is equipped with an internal combustion engine and should not be used on or near any unimproved forest-covered, brush-covered or grass-covered land unless the engine's exhaust system is equipped with a spark arrester meeting applicable local or state laws (if any). If a spark arrester is used, it should be maintained in effective working order by the operator. In the State of California the above is required by law (Section 4442 of the California Public Resources Code). Other states may have similar laws. Federal laws apply on federal lands. A spark arrester for the muffler is available by contacting the service department at Troy-Bilt LLC, P.O. Box 361131 Cleveland, Ohio 44136-0019.

TROY-BILT LLC, P.O. BOX 361131, CLEVELAND, OH 44136-0019

PRINTED IN USA

FROM NO. 769-00585A
(01/2003)

TABLE OF CONTENTS


| Content | Page |
|------------------------------------|-------------|
| Calling Customer Support | 2 |
| Safety | 3 |
| Assembly | 6 |
| Features and Controls | 10 |
| Operation | 13 |
| Maintenance | 19 |
| Off-Season Storage | 24 |
| Troubleshooting | 25 |
| Parts List | 26 |
| Warranty Information | Back Cover |

FINDING MODEL NUMBER

This Operator's Manual is an important part of your new Rear-tineTiller. It will help you assemble, prepare and maintain the unit for best performance. Please read and understand what it says.

Before you start assembling your new equipment, please locate the model plate on the equipment and copy the information from it in the space provided below. This information is very important if you need help from our Customer Support Department or an authorized dealer.

- You can locate the model number by looking at the rear surface of the tine shield. A sample model plate is explained below. For future reference, please copy the model number and the serial number of the equipment in the space below

| | |
|--|-------------------------------|
|  <p>TROY-BILT LLC P. O. BOX 361131 CLEVELAND, OH 44136 330-558-7220 866-840-6483</p> | Copy Model Number Here _____ |
| | Copy Serial Number Here _____ |

ENGINE INFORMATION

The engine manufacturer is responsible for all engine-related issues with regards to performance, power-rating, specifications, warranty and service. Please refer to the engine manufacturer's Owner's/Operator's Manual packed separately with your unit for more information.

CALLING CUSTOMER SUPPORT

If you have difficulty assembling this product or have any questions regarding the controls, operation or maintenance of this unit, please call the Customer Support Department.



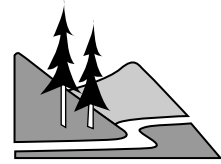
Call 1- (330) 558-7220 or 1- (866) 840-6483 to reach a Customer Support representative. Please have your unit's model number and serial number ready when you call. See previous section to locate this information. You will be asked to enter the serial number in order to process your call ..

For more details about your unit, visit our website at www.troybilt.com

Section 1 Safety

SPARK ARRESTER WARNING TO RESIDENTS OF CALIFORNIA AND SEVERAL OTHER STATES

Under California law, and under the laws of several other states, you are not permitted to operate an internal combustion engine using hydrocarbon fuels on any forest, brush, hay, grain, or grass covered land; or land covered by any flammable agricultural crop without an engine spark arrester in continuous effective working order.



The engine on the unit is an internal combustion engine which burns gasoline, a hydrocarbon fuel, and must be equipped with a spark arrester muffler in continuous effective working order. The spark arrester must be attached to the engine exhaust system in such a manner that flames or heat from the system will not ignite flammable material. Failure of the owner/operator of the unit to comply with this regulation is a misdemeanor under California law (and other states) and may also be a violation of other state and/or federal regulations, laws, ordinances or codes. Contact your local fire marshal or forest service for specific information about which regulations apply in your area.

Training

1. Carefully read this Owner's Manual, the separate Engine Owner's Manual, and any other literature you may receive. Be thoroughly familiar with the controls and the proper use of the tiller and its engine. Know how to stop the unit and disengage the controls quickly.
2. Never allow children to operate the tiller. Never allow adults to operate the tiller without proper instruction.
3. Keep the area of operation clear of all persons, particularly children and pets.
4. Keep in mind that the operator or user is responsible for accidents or hazards occurring to other people, their property, and themselves.



Preparation

1. Thoroughly inspect the area where the tiller is to be used and remove all foreign objects.
2. Be sure all tiller controls are released and both wheels are in the Wheel Drive position before starting the engine.
3. Do not operate the tiller without wearing adequate outer garments. Avoid loose garments or jewelry that could get caught in moving parts.
4. Do not operate the tiller when barefoot or wearing sandals, sneakers, or light footwear. Wear protective footwear that will improve footing on slippery surfaces.

5. Do not till near underground electric cables, telephone lines, pipes or hoses. If in doubt, contact your telephone or utility company.

6. Warning: Handle fuel with care; it is highly flammable and its vapors are explosive. Be sure to take the following precautions:

- a. Store fuel in containers specifically designed for this purpose.
- b. The gas cap shall never be removed or fuel added while the engine is running. Allow the engine to cool for several minutes before adding fuel.
- c. Keep matches, cigarettes, cigars, pipes, open flames, and sparks away from the fuel tank and fuel container.
- d. Fill fuel tank outdoors with extreme care. Never fill fuel tank indoors. Use a funnel or spout to prevent spillage.
- e. Replace all fuel tank and container caps securely.
- f. If fuel is spilled, do not attempt to start the engine, but move the machine away from the area of spillage and avoid creating any source of ignition until fuel vapors have dissipated.

7. Never make adjustments when engine is running (unless recommended by manufacturer).

Operation

1. Do not put hands or feet near or under rotating parts. The tines begin to rotate once the engine starts and the Forward Clutch Bail (or Reverse Clutch Control) is engaged.
2. Exercise extreme caution when on or crossing gravel drives, walks, or roads. Stay alert for hidden hazards or traffic. Do not carry passengers.
3. After striking a foreign object, stop the engine, remove the wire from the spark plug and prevent it from touching the spark plug, thoroughly inspect the machine for any damage, and repair the damage before restarting and operating the machine.
4. Exercise caution to avoid slipping or falling.
5. If the unit should start to vibrate abnormally, stop the engine, disconnect the spark plug wire and prevent it from touching the spark plug, and check immediately for the cause. Vibration is generally a warning of trouble.
6. Stop the engine, disconnect the spark plug wire and prevent it from touching the spark plug whenever you leave the operating position, before unclogging the tines, or when making any repairs, adjustments or inspections.

Section 1: Safety

7. Take all possible precautions when leaving the machine unattended. Stop the engine. Disconnect spark plug wire and move it away from the spark plug. Be sure both wheels are in the Wheel Drive position.

8. Before cleaning, repairing, or inspecting, stop the engine and make certain all moving parts have stopped. Disconnect the spark plug wire and prevent it from touching the spark plug to prevent accidental starting.

9. The flap on the tine hood must be down when operating the tiller.

10. Never use the tiller unless proper guards, plates, or other safety protective devices are in place.

11. Do not run engine in an enclosed area. Engine exhaust contains carbon monoxide gas, a deadly poison that is odorless, colorless, and tasteless.

12. Keep children and pets away.

13. **Never operate the tiller under engine power if the wheels are in the Freewheel position. In the Freewheel position, the wheels will not hold the tiller back and the revolving tines could propel the tiller rapidly, possibly causing loss of control.** Always engage the wheels with the wheel drive pins in the Wheel Drive position before starting the engine or engaging the tines/wheels with the Forward Clutch Bail or the Reverse Clutch Control.

14. Be aware that the tiller may unexpectedly bounce upward or jump backward and be propelled toward you if the tines should strike extremely hard packed soil, frozen ground, or buried obstacles like large stones, roots, or stumps. If in doubt about the tilling conditions, always use the following operating precautions to assist you in maintaining control of the tiller:

- a. **Walk behind and to one side of the tiller, using one hand on the handlebars. Relax your arm, but use a secure hand grip.**
- b. **Use a deep depth regulator setting.**
- c. **Use slower engine speeds.**
- d. **Clear the tilling area of all large stones, roots and other debris.**

e. **Avoid using downward pressure on handlebars. If need be, use slight upward pressure to keep the tines from digging too deeply.**

f. **Before contacting hard packed soil at the end of a row, reduce engine speed and lift handlebars to raise tines out of the soil.**

g. **In an emergency, stop tines and wheels by releasing whichever clutch control is engaged. Do not attempt to restrain the tiller.**

15. Do not overload the tiller's capacity by attempting to till too deeply at too fast a rate.

16. Never operate the tiller at high transport speeds on slippery surfaces. Look behind and use great care when backing up.

17. Do not operate the tiller on a slope that is too steep for safety. When on slopes, slow down and make sure you have good footing. Never permit the tiller to freewheel down slopes.

18. Never allow bystanders near the unit.

19. Only use attachments and accessories that are approved by the manufacturer of the tiller.

20. Use tiller attachments and accessories when recommended.

21. Never operate the tiller without good visibility or light.

22. Never operate the tiller if you are tired, or under the influence of alcohol, drugs or medication.

23. Operators shall not tamper with the engine-governor settings on the machine; the governor controls the maximum safe operating speed to protect the engine and all moving parts from damage caused by overspeed. Authorized service shall be sought if a problem exists.

24. Do not touch engine parts which may be hot from operation. Let parts cool down sufficiently.

25. Please remember: You can always stop the tines and wheels by releasing the Forward Clutch control or the Reverse Clutch control (whichever control you have engaged), or by moving the throttle control lever on the engine to "OFF" or "STOP".

26. To load or unload the tiller, see the instructions in Section 4 of this Manual.

27. Use extreme caution when reversing or pulling the machine towards you.

28. Start the engine carefully according to instructions and with feet well away from the tines.

29. Never pick up or carry a machine while the engine is running.

Maintenance and Storage

1. Keep the tiller, attachments and accessories in safe working condition.

2. Check all nuts, bolts, and screws at frequent intervals for proper tightness to be sure the equipment is in safe working condition.

3. Never store the tiller with fuel in the fuel tank inside a building where ignition sources are present such as hot water and space heaters, furnaces, clothes dryers, stoves, electric motors, etc.). Allow engine to cool before storing in any enclosure.

4. To reduce the chances of a fire hazard, keep the engine free of grass, leaves, or excessive grease.

5. Store gasoline in a cool, well-ventilated area, safely away from any spark- or flame-producing equipment. Store gasoline in an approved container, safely away from the reach of children.

6. Refer to the Maintenance sections of this Manual and the separate Engine Owner's Manual for instructions if the tiller is to be stored for an extended period.

7. Never perform maintenance while the engine is running or the spark plug wire is connected, except when specifically instructed to do so.

8. If the fuel tank has to be drained, do this outdoors.

Decals

For your safety and the safety of others, various safety and operational decals are located on your unit (see Figure 1 below).

Keep the decals clean and legible at all times. Contact your local service dealer or the factory for replacements if any decals are damaged or missing.

Refer to the separate parts catalog for decal locations, part numbers and ordering instructions.

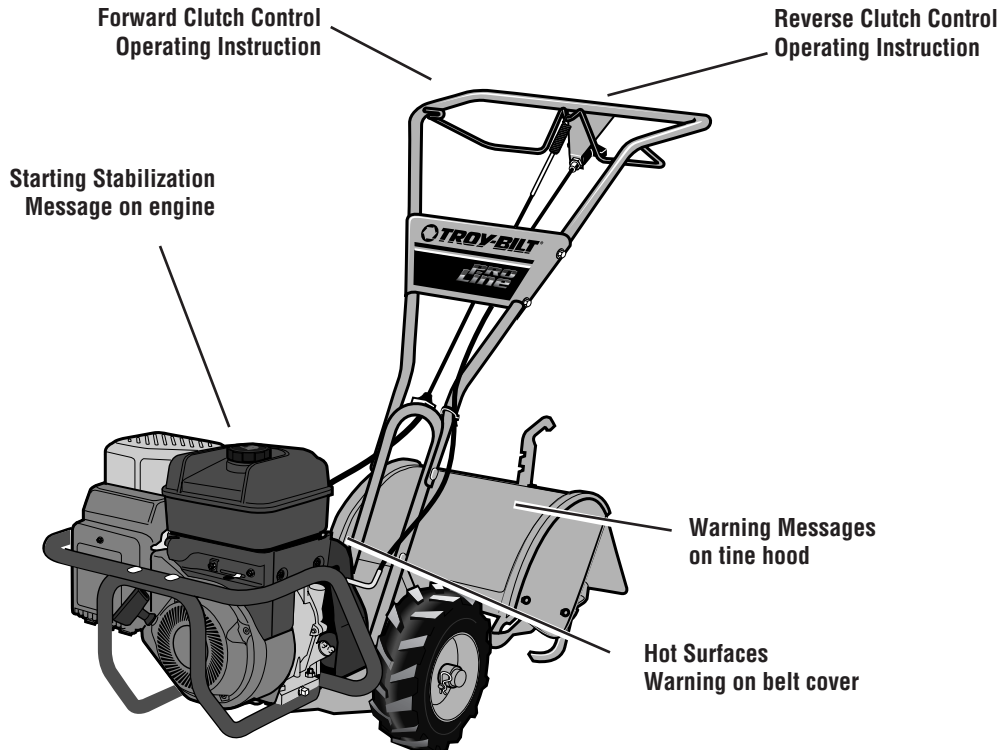


Figure 1: Location of Safety and Operating Decals (Model 644H shown).

Operating Symbols

Various symbols (shown here, with word descriptions) are used on the tiller and engine (your unit may not have all of the symbols).



FAST



SLOW



STOP



CHOKE ON



CHOKE OFF

R
REVERSE



ROTATING
TINES



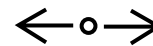
BAIL
ENGAGED



BAIL
DISENGAGED



TILLER DIRECTION



LEVER DIRECTION

WARNING

TO AVOID SERIOUS INJURY:

- READ THE OWNER'S MANUAL.
- KNOW LOCATIONS AND FUNCTIONS OF ALL CONTROLS.
- KEEP ALL SAFETY DEVICES AND SHIELDS IN PLACE AND WORKING.
- NEVER ALLOW CHILDREN OR UNINSTRUCTED ADULTS TO OPERATE TILLER.
- SHUT OFF ENGINE AND DISCONNECT SPARK PLUG WIRE BEFORE MANUALLY UNCLOGGING TINES OR MAKING REPAIRS.
- KEEP BYSTANDERS AWAY FROM MACHINE.
- KEEP AWAY FROM ROTATING PARTS.
- USE EXTREME CAUTION WHEN REVERSING OR PULLING THE MACHINE TOWARDS YOU.

Section 2 Assembly



WARNING

To prevent personal injury or property damage, do not start the engine until all assembly steps are complete and you have read and understand the safety and operating instructions in this manual.

Introduction

Carefully follow these assembly steps to correctly prepare your tiller for use. It is recommended that you read this Section in its entirety before beginning assembly. NOTE: Engine styles vary by model. The engine on your tiller may appear differently than those shown in illustrations and Figures throughout this manual.

Inspect unit

Inspect the unit and carton for damage immediately after delivery. Contact the carrier (trucking company) if you find or suspect damage. Inform them of the damage and request instructions for filing a claim. To protect your rights, put your claim in writing and mail a copy to the carrier within 15 days after the unit has been delivered.

STEP 1: Unpacking Instructions

1. Remove any cardboard inserts and packaging material from the carton. Remove any staples from the bottom of the carton and then lift the carton up and off the unit.
2. The tiller is heavy and you should not attempt to remove it from the shipping platform until the handlebars are installed. The procedure for removing the tiller is explained in Step 3 of these assembly steps.

NOTE: Be careful not to severely bend any of the control cables on the unit.

3. Remove all unassembled parts and the separate hardware bag from the carton. Check that you have the items listed below (contact your local dealer or the factory if any items are missing or damaged). NOTE: Use the screw length template (Fig. 2-1) to identify screws.

Loose Parts List

| Qty. | Description |
|---|---|
| 1 | Handlebar Support (see A, Fig. 2-2, page 7) |
| 1 | Handlebar Assembly (see K, Fig. 2-2) |
| <i>The following items are in the hardware bag:</i> | |
| 1 | Slotted hd. screw, #10-24 x 2" |
| 1 | Hex hd. screw, 1/4-20 x 1-1/4" |
| 6 | Curved hd. screw, 5/16-18 x 1-1/2" |
| 2 | Hex hd. screw, 3/8-16 x 3/4" |
| 2 | Flat washer, 3/8" |
| 6 | Split lockwasher, 5/16" |
| 1 | Hex locknut, 1/4"-20 |
| 6 | Hex nut, 5/16"-18 |
| 2 | Hex locknut, 3/8"-16 |
| 1 | Hex nut, #10-24 |
| 1 | Spring, cable (see W, Fig. 2-5, page 8) |
| 1 | Bracket, forward clutch cable (see P, Fig. 2-5, page 8) |
| 1 | Bracket, reverse clutch cable (see BB, Fig. 2-8, page 9). |

IMPORTANT: Motor oil must be added to the engine crankcase before the engine is started. Follow the instructions in this "Assembly" section.

NOTE: LEFT and RIGHT sides of the tiller are as viewed from the operator's position behind the handlebars.

Tools/Materials Needed for Assembly

- (1) 3/8" open-end wrench*
- (2) 7/16" open-end wrench*
- (1) 1/2" open-end wrench*
- (2) 9/16" open-end wrench*
- (1) Large adjustable wrench
- (1) Scissors (to trim plastic ties)
- (1) Ruler (for belt tension check)
- (1) Block of wood (to support tiller when removing wheels)
- (1) Automotive-type air pressure gauge
- (1) Clean oil funnel
- (1) Clean, high-quality engine oil. Refer to the Engine Owner Manual for engine oil specifications and quantity required. Do not overfill.

* Adjustable wrenches may be used.

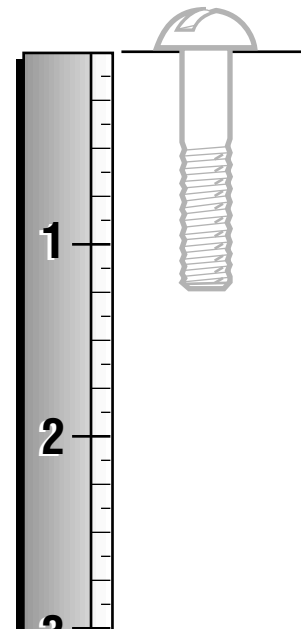


Figure 2-1: To identify length of screw, place screw on template as shown and measure distance between bottom of screw head and tip of screw.

STEP 2: Attach Handlebar

1. Attach the two legs of the handlebar support (A, Fig. 2-2) loosely to the inner sides of the tiller frame using two 3/8"-16 x 3/4" hex hd. screws (B), 3/8" flat washers (C) and 3/8"-16 hex locknuts (D).
2. Using the middle holes in the handlebar support brackets (E and F, Fig. 2-2), loosely attach the support brackets to the handlebar support (A) using two 5/16"-18 x 1-1/2" curved hd. screws (G), 5/16" split lockwashers (H) and 5/16"-18 hex nuts (I). NOTE: If a support bracket will not move, loosen attaching screw (J) and nut.
3. Attach the handlebar assembly (K) to the handlebar support (A) using four 5/16"-18 x 1-1/2" curved hd. screws (G), 5/16" split lockwashers (H) and 5/16"-18 hex nuts (I). Tighten the four screws securely.
4. Tighten all handlebar mounting hardware securely.

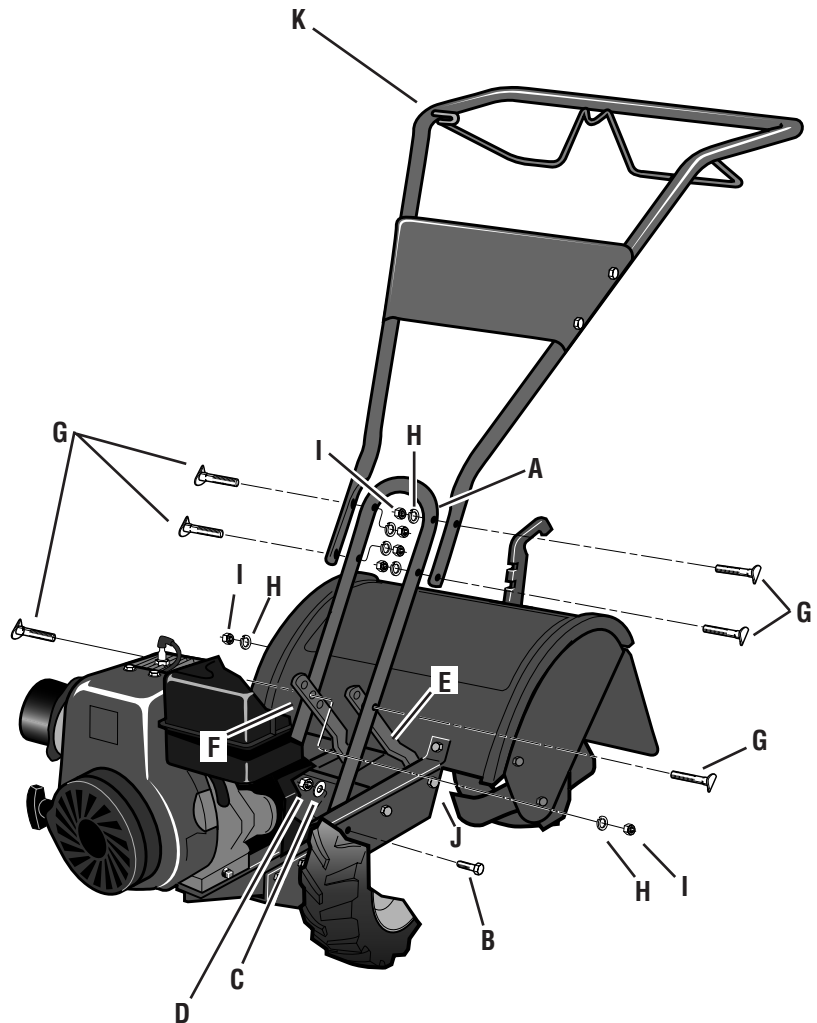


Fig. 2-2: Attach handlebar.

STEP 3: Move Tiller Off Shipping Platform

To move the tiller without the engine running, put the wheels in their FREEWHEEL position, as described below.

1. Use a sturdy block to raise one wheel off the ground.
2. Remove the hairpin cotter (L, Fig. 2-3) and wheel drive pin (M). Slide the wheel inward on the wheel shaft (N). Reinstall the wheel drive pin and hairpin cotter through the wheel shaft only (not through the wheel hub). Repeat with the other wheel.
3. Using the handlebar as a lever, roll the tiller to a flat area.

IMPORTANT: Before starting the engine, the wheels must be placed in their WHEEL DRIVE position (pins through wheel hubs and wheel shaft). This procedure is described in "Wheel Drive Pins" in Section 3.

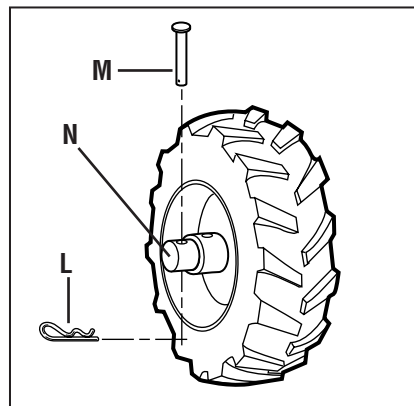


Fig. 2-3: Wheel in FREEWHEELING position (wheel drive pin through wheel shaft only).

Section 2: Assembly

STEP 4: Install Forward Clutch Cable

1. Place the forward clutch cable bracket (P, Fig. 2-4) on the handlebar support (A). Attach the cable bracket using a 1/4"-20 x 1-1/4" hex hd. screw (R, Fig. 2-4) and 1/4"-20 hex locknut (S). Tighten securely.

2. Carefully unwrap the forward clutch cable (the cable without a knob attached to it) from its shipping position and slide the thin cable wire (T, Fig. 2-4) into the slot in the cable bracket. Push the cable connector (U, Fig. 2-4) up through the hole in the bracket until the groove in the connector snaps into place on the bracket.

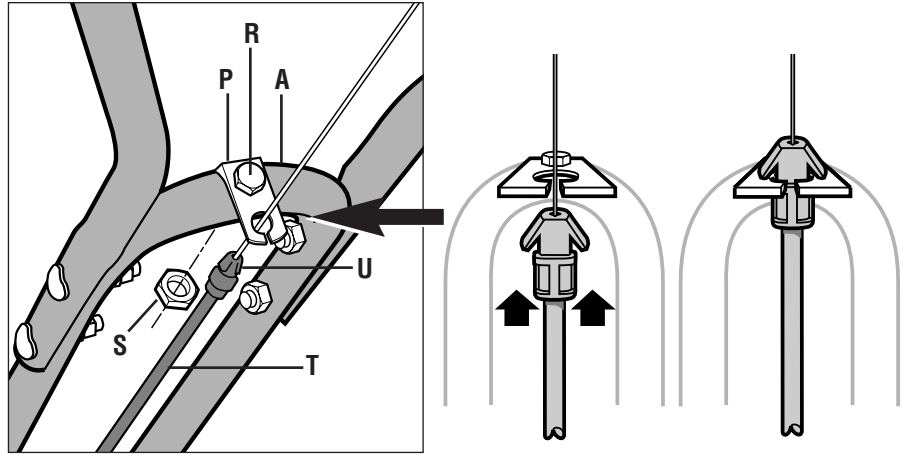


Fig. 2-4: Installing forward clutch cable bracket and cable.

3. Insert the #10-24 x 2" slotted hd. screw (V, Fig. 2-5) down into the cable spring (W). The threaded end of the screw will extend from the bottom of the spring.

4. Thread the #10-24 hex nut (Z) on the slotted head screw (V). Thread it halfway up.

5. Thread screw (V) into cable adjuster (X).

6. Hook cable spring (W, Fig. 2-6) into "V"-shaped bend in the forward clutch bail (Y).

7. Lift and hold the Forward Clutch bail against the handlebar. See Fig. 2-7.

8. Measure the length of the cable spring between the ends of the coils (Fig. 2-7). The length should be approximately 1-7/8". If the length is correct, turn the #10-24 hex nut (Z) down tightly against the cable adjuster (X) while holding the adjuster in place. See Figure 2-7. If the length is incorrect, you must make an adjustment to the cable tension as described in "Checking and Adjusting Forward Drive Belt Tension" in Section 5. When the spring length is correct, tighten the hex nut (Z) against the cable adjuster (X).

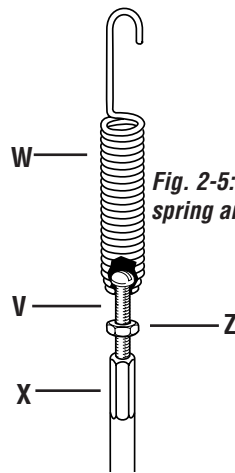


Fig. 2-5: Assemble spring and adjuster.

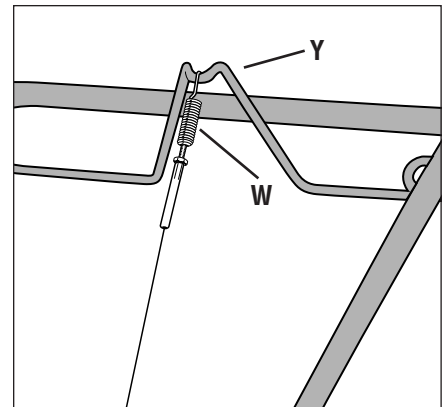


Fig. 2-6: Install forward clutch cable.

STEP 5: Install Reverse Clutch Cable

1. Remove the two pre-installed self-tapping screws (AA, Fig. 2-8) from the handlebars.

2. Position the reverse cable mounting bracket (BB, Fig. 2-8) as shown and reinstall the two self-tapping screws.

3. Unwrap the reverse clutch cable (the cable with a knob and a large hex nut attached to it) from around its shipping position and route the cable (CC, Fig. 2-8 and Fig. 2-9) up to the cable bracket (BB, Fig. 2-8). Be sure that the cable goes beneath the Forward Clutch Bail as it is routed up to the cable bracket.

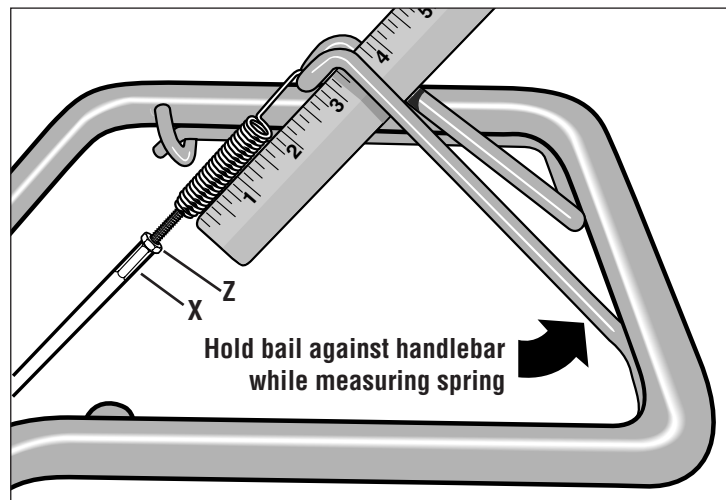


Fig. 2-7: Measure cable spring.

4. Insert the cable up through the slot in the cable bracket and position the threaded assembly as shown in Fig. 2-8. Make sure that the flat side of the threaded assembly is aligned with the flat side of the mounting hole. Slide the large hex nut (DD) up the cable and tighten it securely.

5. Use a cable tie (EE, Fig. 2-9) to fasten the reverse clutch cable to the left side handlebar.

6. Test the function of the reverse clutch cable by pulling the knob out and releasing it. The knob should return to its neutral position (resting against bracket) when it is released. If it doesn't, contact your local dealer or the factory for technical assistance.

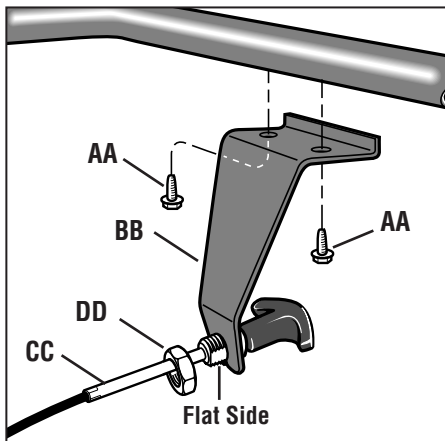


Fig. 2-8: Install reverse cable mounting bracket and the reverse clutch cable.



Fig. 2-9: Route reverse clutch cable (CC) as shown. Attach to handlebar with cable tie (EE).

STEP 6: Check Level of Transmission Gear Oil

The transmission was filled with gear oil at the factory. However, you should check the gear oil level to make certain it is correct.

IMPORTANT: Do not operate the tiller if the gear oil level is low. Doing so will result in severe damage to the transmission components.

1. Put the tiller on level ground. Pull the Depth Regulator Lever (FF, Fig. 2-10) back and then adjust it up or down to the notch that makes the tiller level.

2. Remove the oil fill plug (GG, Fig. 2-11) from the transmission housing and look into the oil fill hole. You will see the main drive shaft on one side of the hole.

3. The gear oil level is correct if the gear oil is approximately halfway up the side of the drive shaft.

4. If the gear oil level is low, add gear oil by referring to "A. To Check the Transmission Gear Oil Level" in Section 5.

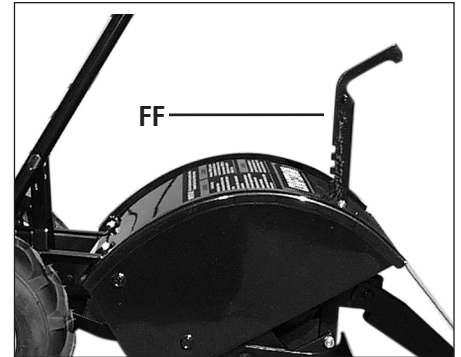


Fig. 2-10: Adjust Depth Regulator Lever.



Fig. 2-11: Remove gear oil fill plug.

STEP 7: Add Motor Oil to Engine

The tiller is shipped *without* oil in the engine.

IMPORTANT: Do not start the engine without first adding motor oil. Severe engine damage will result if the engine is run without oil.

1. Refer to the Engine Owner's Manual (supplied with tiller) for engine oil specifications and capacities.

2. With the tiller on level ground, pull the Depth Regulator Lever (FF, Fig. 2-10) back and then slide it up or down as necessary until the engine is level.

3. Add motor oil as described in the Engine Owner's Manual.

4. Move the Depth Regulator Lever all the way down until the highest notch is engaged. This places the tines in the "travel" position.

STEP 8: Check Hardware for Tightness

Check all nuts and screws for tightness.

STEP 9: Check Air Pressure in Tires)

Use a tire pressure gauge to check the air pressure in both tires. Deflate or inflate both tires equally to 15-to-20 PSI (pounds per square inch). Be sure that both tires are inflated equally or the unit will pull to one side.

IMPORTANT: This completes the assembly steps. Before operating your tiller, make sure you read the following Sections in this Manual, as well as the separate Engine Owner's Manual:

- Section 1: "Safety"
- Section 3: "Features and Controls"
- Section 4: "Operation"

Section 3 Features and Controls



WARNING

Before operating your machine, carefully read and understand all safety, controls and operating instructions in this Manual, the separate Engine Owner's Manual, and on the decals on the machine.

Failure to follow these instructions can result in serious personal injury.

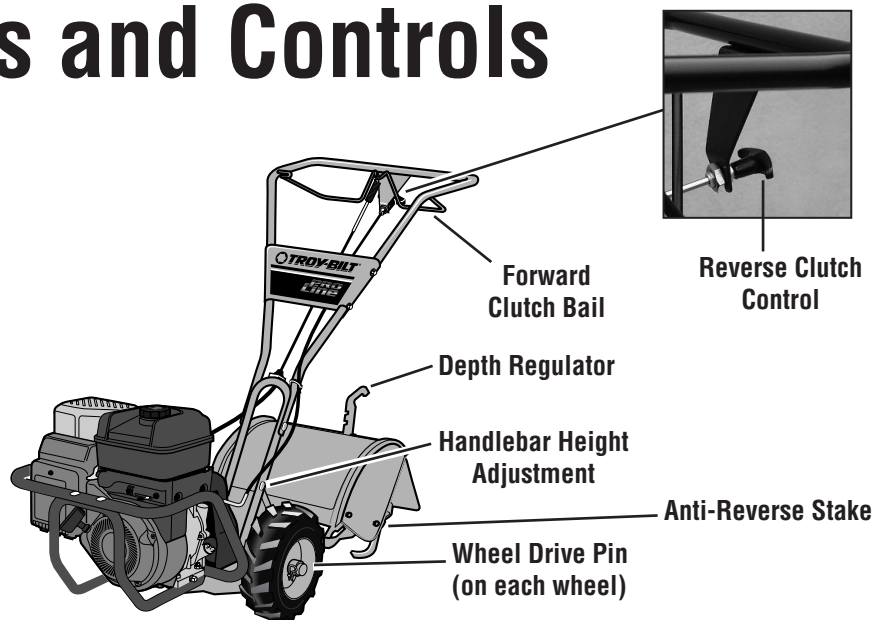


Figure 3-1: Features and controls.

Introduction

This section describes the locations and functions of the controls on your tiller. Refer to the next section ("Operation") for detailed operating instructions.

Practice using these controls, with the engine shut off, until you understand the operation of the controls and feel confident with each of them.

IMPORTANT: Refer to the separate engine manufacturer's Engine Owner's Manual for information about the controls on the engine.

Wheel Drive Pins



WARNING

Never allow either of the wheels to be in the FREEWHEEL position when the engine is running. Always put both wheels in the WHEEL DRIVE position before starting the engine.

Failure to comply could cause loss of tiller control, property damage, or personal injury.

Each wheel is equipped with a Wheel Drive Pin (A, Figures 3-2 and 3-3) that secures the wheel to the wheel shaft (B). The wheels can be positioned in either a WHEEL DRIVE or a FREEWHEEL mode.

Before starting the engine, put both wheels in the WHEEL DRIVE position by inserting the Wheel Drive Pins through the wheel hubs and the wheel shaft. This "locks" the wheels to the wheel shaft, causing the wheels to turn when either the Forward Clutch Bail or the Reverse Clutch Control is engaged.

Use the FREEWHEEL mode only when the engine is not running. In FREEWHEEL, the Wheel Drive Pins are placed only

through the holes in the wheel shaft (not the wheel hubs), thus allowing the wheels to turn freely when the tiller is pushed or pulled by hand.

To Place the Wheels in WHEEL DRIVE or FREEWHEEL:

1. Stop the engine, disconnect the spark plug wire from the spark plug and allow the engine to cool.
2. Raise one wheel off the ground and place a sturdy support under the transmission.
3. Remove the wheel drive pin (A,



WARNING

Do not place the tiller on its side when changing the wheel drive positions as doing so could result in gasoline leaking from the fuel tank.

Failure to follow this instruction could result in personal injury or property damage.

Figures 3-2 and 3-3) by removing the hairpin cotter (C).

4. FOR WHEEL DRIVE mode (Figure 3-2): Slide the wheel outward and align the holes in the wheel hub (D, Figure 3-2) and the wheel shaft (B). Insert the wheel drive pin (A) through the wheel hub and the wheel shaft. Secure the wheel drive pin with the hairpin cotter (C) by pushing the hairpin cotter in as far as it will go. Repeat for the other wheel and then remove the support from beneath the transmission.

5. FOR FREEWHEEL mode (Figure 3-3): Slide the wheel inward and insert the wheel drive pin (A, Figure 3-3) only through the hole in the wheel shaft (B). Secure the wheel drive pin with the hairpin cotter (C) by pushing the hairpin cotter in as far as it will go. Repeat for the other wheel and then remove the support from beneath the transmission.

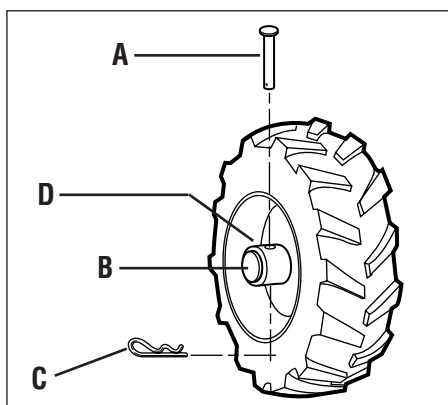


Figure 3-2: WHEEL DRIVE position.

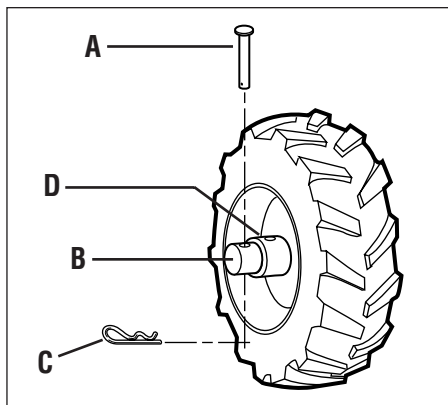


Figure 3-3: FREEWHEEL position.

Forward Clutch Bail

The Forward Clutch Bail (E, Figure 3-4) controls the engagement of forward drive to the wheels and power to the tines.

NOTE: The wheels will rotate in a forward direction; the tines will rotate counter-clockwise (backward toward the operator).

To Operate the Forward Clutch Bail:

1. Put the wheels in the WHEEL DRIVE position (see the following “WARNING” statement).
2. Lift and hold the bail against the handlebar. The wheels and tines will rotate—and the tiller will move in a forward direction.
3. Release the bail to disengage (stop) the wheels and tines. Forward tiller motion will stop (the engine will continue to run).



WARNING

Before starting the engine, be sure that both wheels are in the WHEEL DRIVE position. See “Wheel Drive Pins” for instructions.

Engaging the Forward Clutch Bail or the Reverse Clutch Control when the wheels are not in the WHEEL DRIVE position could allow the tines to rapidly propel the tiller forward or backward.

Failure to comply could cause loss of tiller control, property damage, or personal injury.

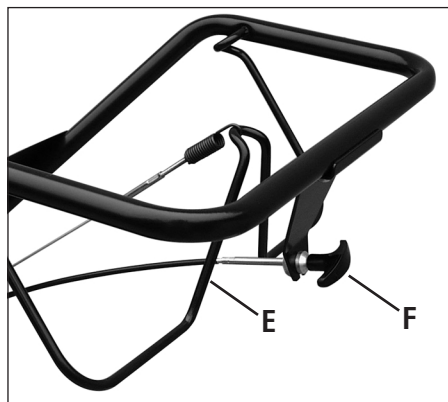


Figure 3-4: Forward Clutch Bail (E) and Reverse Clutch Control (F).

Reverse Clutch Control

The Reverse Clutch Control (F, Figure 3-4) controls the engagement of reverse drive to the wheels and tines. This powered reversing feature is used for maneuvering the tiller only – never engage the tines in the ground while going in the reverse direction.

To Operate the Reverse Clutch Control:

1. Operate only when the wheels are in the WHEEL DRIVE position (see the “WARNING” statement at the left).
2. Stop all tiller motion by releasing the Forward Clutch Bail.
3. Lift up the handlebar until the tines clear the ground, look behind you to avoid any obstacles, and then pull the reverse clutch control knob toward you. The wheels will rotate in a reverse direction.
4. Release the reverse clutch control knob to disengage (stop) the wheels and tines. All reverse motion will stop (the engine will continue to run).



WARNING

- Use extreme caution when reversing or pulling the machine towards you. Look behind to avoid obstacles.
- Never attempt to till in reverse.

Failure to follow this warning could result in personal injury or property damage.

Section 3: Features and Controls

Depth Regulator Lever

This lever (G, Figure 3-5) controls the tilling depth of the tines. Pull the lever straight back and slide it up or down to engage the notched height settings.

The highest notch (lever all the way down) raises the tines approximately 1-1/2" off the ground. This "travel" setting allows the tiller to be moved without the tines digging into the ground. Also use this setting when starting the engine.

Move the lever upward to increase the tilling depth. The lowest notch allows a tilling depth of approximately 6"-8", depending on soil conditions.

For best results, begin tilling at the deepest depth possible without causing the tiller to bog down. Increase the tilling depth from one pass over the soil to the next.

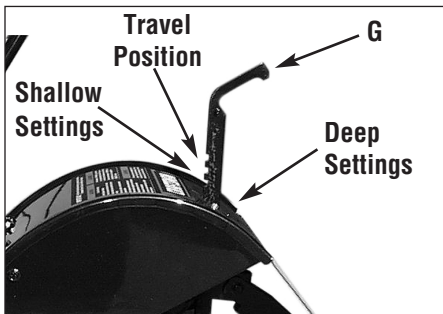


Figure 3-5: Depth regulator lever.



WARNING

- Place the Depth Regulator Lever in the "travel" position before starting the engine. This position prevents the tines from touching the ground until you are ready to begin tilling.

Failure to follow this warning could result in personal injury or property damage.

Handlebar Height Adjustment

The handlebar height is adjustable to three different settings (see Figure 3-6). As a general rule, adjust the handlebars so they are at waist level when the tines are 3"-4" into the soil.

To Adjust the Handlebars:

1. Stop the engine, disconnect the spark plug wire from the spark plug and allow the engine to cool.
2. Remove the screws, lockwashers and nuts, reposition the handlebars, and reinstall the hardware.

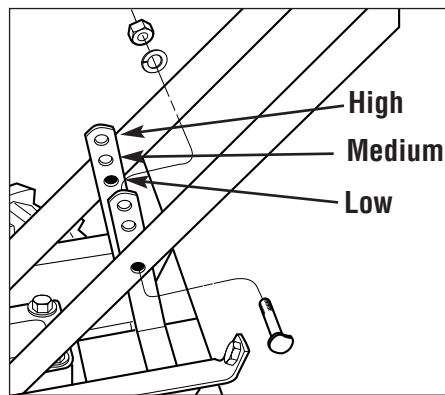


Figure 3-6: Handlebar height adjustment.

Anti-Reverse Stake

This stake is located at the rear of the transmission, under the tine hood (see H, Figure 3-7). Its purpose is to automatically help prevent the counter-rotating tines from letting the tiller back up in the direction of the operator if the tiller wheels had been inadvertently left in the FREEWHEEL position. In this situation, the Anti-Reverse Stake will be forced down into the ground, lifting the tines upward out of the soil and helping prevent backward motion of the tiller.

The Anti-Reverse Stake requires no adjustment, but should be inspected before each tiller use to verify that it swivels freely. Remove any clogged materials (dirt, roots, rocks, etc.) that prevent the Anti-Reverse Stake from swinging freely.

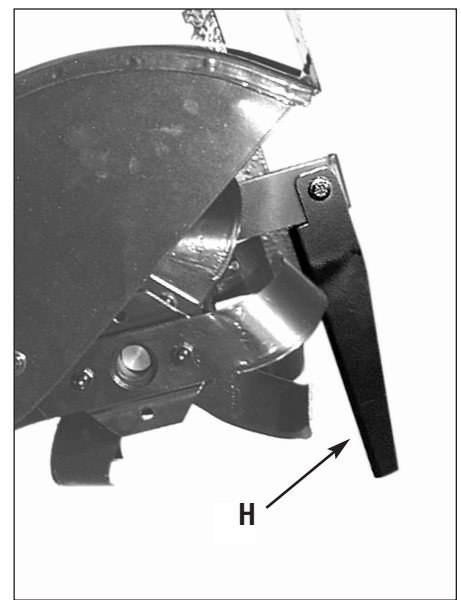


Figure 3-7: Anti-Reverse Stake.

ENGINE CONTROLS

Refer to the engine manufacturer's Engine Owner's Manual (included in the tiller literature package) to identify the controls on your engine.

IMPORTANT: The control for stopping the engine is located on the engine.

Section 4 Operation



WARNING

Before operating your machine, carefully read and understand all safety (Section 1), controls (Section 3) and operating instructions (Section 4) in this Manual, in the separate Engine Owner's Manual, and on the decals on the machine.

Failure to follow these instructions can result in serious personal injury.

INTRODUCTION

Read this Section of the manual thoroughly before you start the engine. Then, take the time to familiarize yourself with the basic operation of the tiller before using it in the garden. Find an open, level area and practice using the tiller controls without the tines engaging the soil (put tines in "travel" setting). Only after you've become completely familiar with the tiller should you begin using it in the garden.

INITIAL OPERATION

Perform the following maintenance during the first hours of new operation (see "Maintenance" section in this manual and in the Engine Owner's Manual).

1. Change engine oil after first 2 hours of new engine operation.
2. Check for loose or missing hardware on unit. Tighten or replace as needed.
3. Check tension on forward drive belt after first 2 hours of operation.
4. Check transmission gear oil level after first 2 hours of operation.

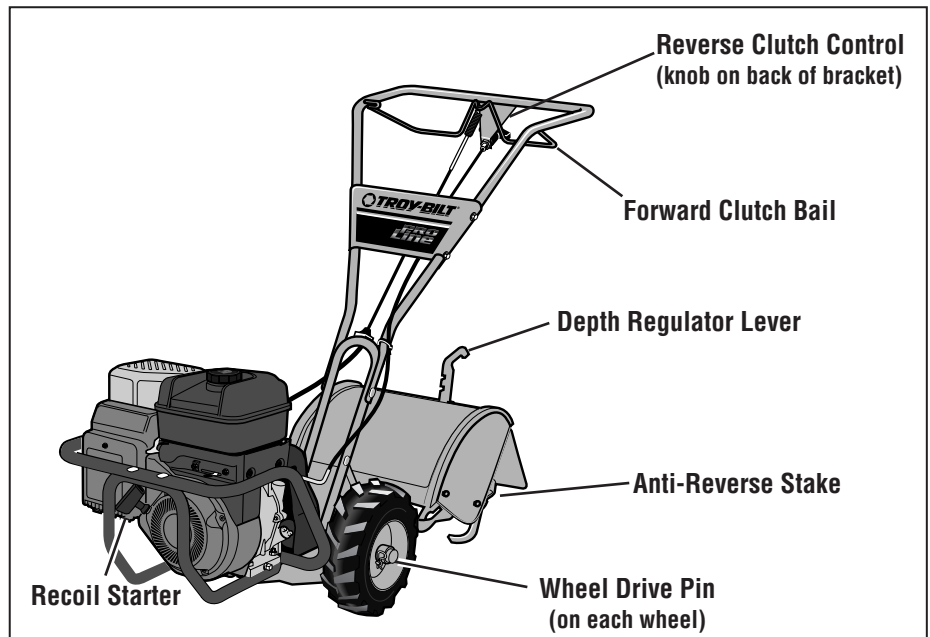


Figure 4-1

STARTING AND STOPPING THE ENGINE

Pre-Start Checklist

Make the following checks and perform the following services before starting the engine.

1. Read the "Safety" and "Controls" sections in this manual. Read the separate Engine Owner's Manual provided by the engine manufacturer.
2. Check that the wheels are in the WHEEL DRIVE position (wheel pins must be through the wheel hubs and the wheel shaft holes).
3. Check unit for loose or missing hardware. Service as required.
4. Check engine oil level. See Engine Owner's Manual.
5. Check that all safety guards and covers are in place.
6. Check air cleaner and engine cooling system. See Engine Owner's Manual.
7. Attach spark plug wire to spark plug.
8. Fill the fuel tank with gasoline according to the directions in the separate Engine Owner's Manual. Follow all instructions and safety rules carefully.



DANGER

GASOLINE IS HIGHLY FLAMMABLE AND ITS VAPORS ARE EXPLOSIVE.

Follow gasoline safety rules in this manual (see Section 1) and in the separate Engine Owner's Manual.

Failure to follow gasoline safety instructions can result in serious personal injury and property damage.

Section 4: Operation

Starting the Engine

The following steps describe how to start and stop the engine. **Do not attempt to engage tines or wheels until you have read all the operating instructions in this Section. Also review the safety rules in Section 1: “Safety” and the tiller and engine controls information in Section 3: “Features and Controls.”**



CAUTION

To help prevent serious personal injury or damage to equipment:

- Before starting engine, put both wheels in the WHEEL DRIVE position. Never have the wheels in the FREEWHEEL position when the engine is running. When the wheels are in FREEWHEEL, they do not hold back the tiller and the tines could propel the tiller rapidly backward.
- Before starting engine, put Forward Clutch Bail (all Models) and Reverse Clutch Control in neutral (disengaged) positions by releasing levers.
- Never run engine indoors or in enclosed, poorly ventilated areas. Engine exhaust contains carbon monoxide, an odorless and deadly gas.
- Avoid engine muffler and nearby areas. Temperatures in these areas may exceed 150°F.

1. Complete the “Pre-Start Checklist” on the previous page.
2. Put the wheels in the WHEEL DRIVE position (see “Wheel Drive Pins” in Section 3).
3. Put the Depth Regulator Lever in the “travel” position (lever all the way down) so that the tines are clear of the ground.
4. Release all controls on the tiller.
5. If engine is equipped with a fuel valve, turn valve to open position as instructed

in the separate Engine Owner’s Manual.

6. Put ignition switch and/or throttle control lever on engine in “ON,” “RUN,” “FAST” or “START” position as instructed in the separate Engine Owner’s Manual.
7. Choke or prime engine as instructed in the separate Engine Owner’s Manual.
8. Place one hand on the fuel tank to stabilize the unit when you pull the starter handle. Use the recoil starter rope to start the engine as instructed in the separate Engine Owner’s Manual. When engine starts, gradually move choke lever (on engines so equipped) to “NO CHOKE,” “CHOKE OFF” or “RUN” position.



WARNING

Hot surfaces can cause severe burns. Do not touch muffler or adjacent areas.

9. Use the “FAST” throttle speed setting when tilling.



WARNING



Keep away from rotating tines. Rotating tines will cause injury.

Stopping the Engine and Tiller

1. To stop the wheels and tines, release the Forward Clutch Bail or the Reverse Clutch Control — whichever control is in use.
2. To stop the engine, put the throttle control lever on engine in “OFF” or “STOP” position.

OPERATING THE TILLER

The following pages provide guidelines to using your tiller effectively and safely in various gardening applications. Be sure to read “Tilling Tips & Techniques” in this Section before you actually put the tines into the soil.

This is a CRT (counter-rotating tine) tiller. As the wheels pull forward, the tines rotate backward.

This creates an “uppercut” tine action which digs deeply, uprooting soil and weeds. Don’t overload the engine, but dig as deeply as possible on each pass. On later passes, the wheels may tend to spin in the soft dirt. Help them along by lifting up slightly on the handlebar (palm facing up).

1. Follow the “Pre-Start Checklist” on the previous page. Be sure that the wheels are in the WHEEL DRIVE position.
2. Put the Depth Regulator Lever in the “travel” position (lever all the way down) so that the tines are clear of the ground. Use this position when practicing with your tiller or when moving to or from the garden. When you are ready to begin tilling, you must move the Depth Regulator Lever to the desired depth setting (see “Tilling Tips & Techniques”). Check that the Anti-Reverse Stake swivels freely back and forth. Remove any clogged material on or around the stake.



Figure 4-2: Use one hand to guide tiller when moving forward.

3. Start the engine and allow it to warm up. When warm, put throttle control in fast speed setting.
4. For forward motion of wheels and power to the tines:
 - (a) Pull the Forward Clutch Bail up and hold it against the handlebar. Release the bail to stop forward motion of the wheels and power to the tines.
 - (b) As the tiller moves forward, relax and let the wheels pull the unit along while the tines dig. Walk behind and a little to one side of the tiller. Use a light but secure grip with one hand on the handlebars, keeping your arm loose. See Figure 4-2.



WARNING

Do not push down on the handlebars to try to make the tiller till more deeply. This prevents the wheels from holding the tiller back and can allow the tines to rapidly propel the tiller backward toward the operator, which could result in loss of control, property damage, or personal injury.



Figure 4-3: Raise tines off ground and look behind when moving in reverse.



WARNING

Before tilling, contact your telephone or utilities company and inquire if underground equipment or lines are used in your area. Their representative will be glad to answer your questions and tell you if any of their equipment or lines are buried underground on your property.

Let the tiller move at its own pace and do not push down on the handlebars to try to dig deeper—this takes weight off the wheels, cuts traction, and causes the tines to try and propel the tiller.

5. For reverse motion of the wheels and tines:

- Look behind and exercise caution when operating in reverse. **Do not till while in reverse.**
- Stop all forward motion before reversing. Lift the handlebars with one hand until the tines are off the ground and then pull the Reverse Clutch Control knob out to engage reverse motion (see Figure 4-3). To stop reverse motion, let go of the Reverse Clutch Control knob.

6. To Turn the Tiller Around:

- Practice turning the tiller in a level, open area. Be very careful to keep your feet and legs away from the tines.
- To make a turn, lift the handlebars until the engine and tines are balanced over the wheels (Figure 4-4). The tines must be out of the ground while turning the tiller.
- With the tiller balanced, push sideways on the handlebar to move the tiller in the direction of the turn (Figure 4-5). After completing the turn, slowly lower the tines into the soil to resume tilling.

Turning the Tiller Around



Figure 4-4: To begin turn, lift handlebars until engine and tines are balanced over wheels. Be sure tines are out of ground.



Figure 4-5: With tiller balanced over wheels (and tines out of the ground), push handlebars sideways to turn tiller.

Stopping the Tiller and Engine

- To stop the wheels and tines, release the Forward Clutch Bail or the Reverse Clutch Control – whichever is engaged.
- To stop the engine, move the throttle control lever on engine to “OFF” or “STOP” position.

Tilling Tips & Techniques

Let the tiller do the work

- While tilling, relax and let the wheels pull the tiller along while the tines do the digging. Walk on the side that is not yet finished (to avoid making footprints in the freshly tilled soil) and lightly, but securely grip the handlebar with just one hand. See Figure 4-2.
- Avoid the temptation to push down on the handlebars in an attempt to force the tiller to dig deeper. Doing so takes the weight off the powered wheels, causing them to lose traction. Without the wheels helping to hold the tiller back, the tines will attempt to propel the tiller backward toward the operator—often causing the tiller to skip rapidly across the ground.

Tilling depths

- When preparing the soil, till a fresh path on each pass rather than overlapping passes. This gives the wheels maximum traction on undisturbed soil. See Figure 4-6. Dig as deeply as possible on each pass without overloading the engine. Later passes can be overlapped. (Watering the garden area a few days prior to tilling will make tilling easier, as will letting the newly worked soil set for a day or two before making a final, deep tilling pass.)
- When cultivating (breaking up the surface soil around plants to help destroy weeds), adjust the tines to dig only 1-1/2" to 2" deep. Using shallow tilling depths helps prevent injury to plants whose roots often grow close to the surface. *If needed, lift up on the handlebars slightly to prevent the tines from digging too deeply.* Cultivating on a regular basis not only eliminates weeds, it also loosens and aerates the soil for better moisture absorption and faster plant growth.

Avoid tilling soggy, wet soil

Tilling wet soil often results in large, hard clumps of soil that can interfere with planting. If time permits, wait a day or two after heavy rains to allow the soil to dry before tilling. Test soil by squeezing it into a ball. If it compresses too easily, it is too wet to till.

Avoid making footprints

Whenever possible, walk on the untilled side of the unit to avoid making footprints in your freshly tilled or cultivated soil. Footprints cause soil compaction that can hamper root penetration and contribute to soil erosion. They can also “plant” unwanted weed seeds back into the freshly tilled ground.

Choosing correct wheel and tine speeds

With experience, you will find the “just right” tilling depth and tilling speed combination that is best for your garden.

Set the engine throttle lever at a high enough speed to give the engine adequate power and yet allow it to operate without overloading it. Fastest engine speeds may be desirable when making final passes through the seedbed or when cultivating. Selection of the correct engine speed, in relation to the tilling depth, will ensure a sufficient power level to do the job without causing the engine to labor.

Suggested tilling patterns

- When preparing a seedbed, go over the same path twice in the first row, then make individual passes right next to each other (see Figure 4-6). When finished in one direction, make second passes at a right angle as shown in Figure 4-7.

In very hard ground it may take three or four overlapping passes to thoroughly pulverize the soil. (See Figure 4-8.)

- If the garden size will not permit lengthwise and then crosswise tilling, then overlap the first passes by one-half a tiller width, followed by successive passes at one-quarter width (see Figure 4-8).
- With planning, you can allow enough room between rows to cultivate (see Figure 4-9). Leave room for the hood width, plus enough extra room for future plant growth.



Figure 4-6

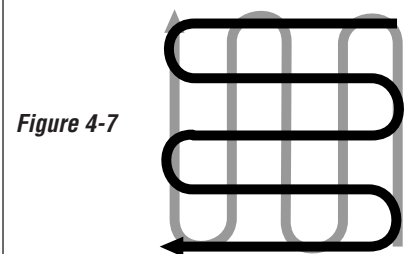


Figure 4-7



Figure 4-8



Figure 4-9

Tilling Tips & Techniques

Clearing the tines

Dry grass, stringy stalks or tough vines may become tangled in the tines. Follow these procedures to help avoid tangling and to clean the tines, if necessary.

- To reduce tangling, set the depth regulator to maximum depth.
- While tilling, try swaying the handlebars from side to side (about 6" to 12"). This "fishtailing" action often clears the tines of debris.
- If tangling occurs, lift the tines out of the soil and run the tiller in reverse for a few feet. This may unwind a good deal of debris.
- It may be necessary to remove the debris by hand (a pocket knife will help you to cut away the material).



WARNING

Before clearing the tines by hand, stop the engine, allow all moving parts to stop and disconnect the spark plug wire.

Failure to follow this warning could result in personal injury.

Tilling on slopes

If you must garden on a moderate slope, please follow two very important guidelines:

1. Till only on moderate slopes, never on steep ground where footing is difficult (review safety rules in the "Safety" section of this manual).
2. We recommend tilling up and down slopes rather than terracing. Tilling vertically on a slope allows maximum planting area and also leaves room for cultivating.

IMPORTANT: When tilling on slopes, be sure the correct oil level is maintained in the engine (check every one-half hour of operation). The incline of the slope will cause the oil to slant away from its normal level and this can starve engine parts of required lubrication. Keep the engine oil level at the full point at all times!

A. Tilling up and down slopes:

- To keep soil erosion to a minimum, be sure to add enough organic matter to the soil so that it has good moisture-holding texture and try to avoid leaving footprints or wheel marks.
- When tilling vertically, try to make the first pass uphill as the tiller digs more deeply going uphill than it does downhill. In soft soil or weeds, you may have to lift handlebars slightly while going uphill.

B. Tilling across slopes without using terraces:

If previously described tilling methods aren't practical for you, then you can till laterally across a slope. However, we don't really recommend this method as it can create unsure footing and invites soil erosion.

Section 4: Operation

LOADING AND UNLOADING THE TILLER



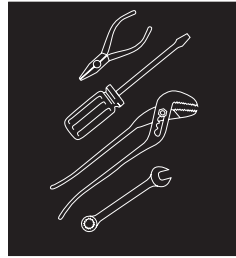
WARNING

Loading and unloading the tiller into or from a vehicle is potentially hazardous. We don't recommend doing so unless absolutely necessary, as this could result in personal injury or property damage.

However, if you must load or unload the tiller, follow the guidelines given next.

- Before loading or unloading, stop the engine, wait for all parts to stop moving, disconnect the spark plug wire and let the engine and muffler cool.
- The tiller is too heavy and bulky to lift safely by one person. Two or more people should share the load.
- Use sturdy ramps and manually (engine shut off) roll the tiller into and out of the vehicle. Two or more people are needed to do this.
- Ramps must be strong enough to support the combined weight of the tiller and any handlers. The ramps should provide good traction to prevent slipping; they should have side rails to guide the tiller along the ramps; and they should have a locking device to secure them to the vehicle.
- The handlers should wear sturdy footwear that will help to prevent slipping.
- Position the loading vehicle so that the ramp angle is as flat as possible (the less incline to the ramp, the better). Turn the vehicle's engine off and apply its parking brake.
- When going up ramps, stand in the normal operating position and push the tiller ahead of you. Have a person at each side to turn the wheels.
- When going down ramps, walk backward with the tiller following you. Keep alert for any obstacles behind you. Position a person at each wheel to control the speed of the tiller. Never go down ramps tiller-first, as the tiller could tip forward.
- Use wooden blocks to place on the downhill side of the wheels if you need to stop the tiller from rolling down the ramp. Also, use the blocks to temporarily keep the tiller in place on the ramps (if necessary), and to chock the wheels in place after the tiller is in the vehicle.
- When the tiller is in the vehicle, prevent it from rolling by chocking the wheels with blocks and securely tie the tiller down.

Section 5 Maintenance



WARNING

Before inspecting, cleaning or servicing the machine, shut off engine, wait for all moving parts to come to a complete stop, disconnect spark plug wire and move wire away from spark plug.

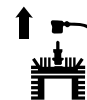
Failure to follow these instructions can result in serious personal injury or property damage.

| REQUIRED MAINTENANCE SCHEDULE | | | | |
|--|-----------------|----------------|----------------|-----------------------------|
| PROCEDURE | Before Each Use | Every 10 Hours | Every 30 Hours | As Noted |
| Check engine oil level | • | | | And every 5 operating hours |
| Clean engine | • | | | ▲ |
| Check drive belt tension | | • | | † |
| Check nuts and bolts | | • | | † |
| Change engine oil | | • | | * |
| Lubricate tiller | | • | | |
| Service engine air cleaner system | | | | ▲ |
| Check gear oil level in transmission | | | • | † |
| Check tines for wear | | | • | |
| Check air pressure in tires (if pneumatic) | | | • | |
| Service spark plug | | | | ▲ |
| Check Anti-Reverse Stake | • | | | |
| <p>* Change more frequently in dusty or dirty conditions. Change after first 2 hours of break-in operation. † Check after first 2 hours of break-in operation. ▲ See Engine Owner's Manual for service intervals and instructions.</p> | | | | |

Section 5: Maintenance



WARNING Before inspecting, cleaning or servicing the unit, shut off engine, wait for all parts to come to a complete stop, disconnect spark plug wire and move wire away from spark plug. Failure to follow these instructions can result in serious personal injury or property damage.



TILLER LUBRICATION

Proper lubrication of the tiller is an essential part of maintenance. After every 10 operating hours, oil or grease the lubrication points shown in Figures 5-1 and 5-1A and described below.

Use a good quality lubricating oil (#30 weight engine oil is suitable) and a quality general purpose grease (with a metal lubricant, if available).

- Remove wheels, clean wheel shaft (A, Fig. 5-1) and apply thin coating of grease to the shaft.
- Grease back, front and sides of depth regulator lever (B, Fig. 5-1).
- Remove tines, clean tine shafts (C, Fig. 5-1). Inspect for rust, rough spots or burrs (look around holes). File or sand smooth, coat ends of shaft with grease.
- Oil the threads on the handlebar height adjustment screws and the handlebar attaching screws (D, Fig. 5-1).
- Shifting Mechanism. Lightly oil pivot points for smooth operation (E, Fig. 5-1A).

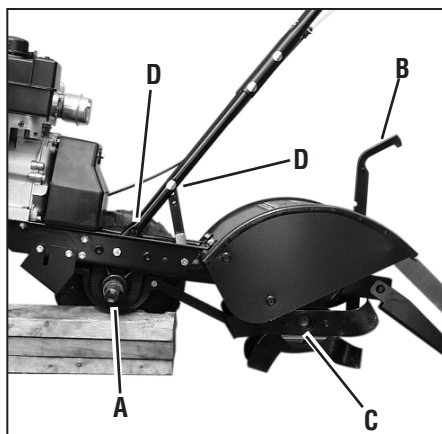


Figure 5-1

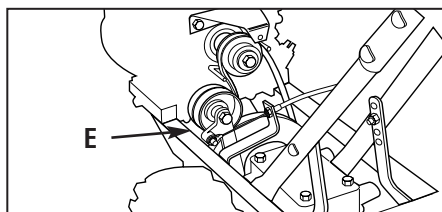


Figure 5-1A

CHECK FOR OIL LEAKS

Before each use, check your tiller for signs of an oil leak – usually a dirty, oily accumulation either on the unit or on the floor where it has been parked.

A little seepage around a cover or oil seal is usually not a cause for alarm. However, if the oil drips overnight then immediate attention is needed as ignoring a leak can result in severe transmission damage.

If a cover is leaking, try tightening any loose screws. If the screws are tight, a new gasket or oil seal may be required. If the leak is from around a shaft and oil seal, the oil seal probably needs to be replaced. See your authorized dealer or contact the factory for service or advice.

IMPORTANT: Never operate the tiller if the transmission is low on oil. Check the oil level after every 30 hours of operation and whenever there is any oil leakage.

CHECK HARDWARE

Check for loose or missing hardware after every 10 operating hours. Tighten or replace hardware before using the tiller. Be sure to check the screws underneath the tiller hood (lift the hood flap) that secure the transmission cover and the depth regulator lever to the transmission.

CHECK TIRE PRESSURE (on machines equipped with pneumatic tires)

Check the air pressure in both tires. Deflate or inflate both tires evenly from 15-to-20 PSI (pounds per square inch). Be sure that both tires have the same air pressure or the unit will tend to pull to one side.

NOTE: Your tiller may not be equipped with pneumatic tires, eliminating the need for air pressure checks.

TRANSMISSION GEAR OIL SERVICE

Check the transmission gear oil level after every 30 hours of operation or whenever you notice any oil leak. Operating the tiller when the transmission is low on oil can result in severe damage.

A. To Check the Transmission Gear Oil Level:

1. Check the gear oil level when the transmission is cool. Gear oil will expand in warm operating temperatures and this expansion will provide an incorrect oil level reading.
2. With the tiller on level ground, adjust the Depth Regulator Lever up or down to the notch that makes the tiller level..
3. Remove the oil fill plug (A, Fig. 5-2) from the transmission housing and look into the oil fill hole. You will see the main drive shaft on one side of the hole.
4. The gear oil level is correct if the gear oil is approximately half way up the side of the drive shaft.
5. If the gear oil level is low, add gear oil as described next. If the gear oil level is okay, securely replace the oil fill plug.
IMPORTANT: Do not operate the tiller if the gear oil level is low. Doing so will result in severe damage to the transmission components.
6. If adding only a few ounces of gear oil, use API rated GL-4 or GL-5 transmission gear oil having a viscosity of SAE 140, SAE 85W-140 or SAE 80W-90. If refilling an empty transmission, use only GL-4 transmission gear oil having a viscosity of SAE 85W-140 or SAE 140.
NOTE: Do not use automatic transmission fluid or engine oil in the transmission.
7. While checking frequently to avoid overfilling, slowly add gear oil into the oil fill hole until it reaches the halfway point on the drive shaft.
8. Securely replace the oil fill plug.



WARNING Before inspecting, cleaning or servicing the unit, shut off engine, wait for all parts to come to a complete stop, disconnect spark plug wire and move wire away from spark plug. Failure to follow these instructions can result in serious personal injury or property damage.



B. To Drain the Transmission Gear Oil:



DANGER

Gasoline is highly flammable and its vapors explosive. Follow these safety practices to prevent injury or property damage from fire or explosion.

- Allow the engine and muffler to cool before draining the tiller's gasoline tank.
- Allow the engine and muffler to cool before draining the tiller's gasoline tank.
- Do not allow open flames, sparks, matches or smoking in the area.
- Wipe away spills and push tiller away from spilled fuel.
- Use only an approved fuel container and store it safely out of the reach of children.
- Do not store gasoline where its vapors could reach an open flame or spark, or where ignition sources are present (such as hot water and space heaters, furnaces, clothes dryers, stoves, electric motors, etc.)

The transmission gear oil does not need to be changed unless it has been contaminated with dirt, sand or metal particles.

1. Drain gasoline from the fuel tank or run the engine until the fuel tank is empty. See "DANGER" statement above.
2. Drain the oil from the engine.
3. Remove the four screws (B, Figure 5-2) and washers from the transmission cover and remove the cover and gasket.
4. Remove the left-side wheel.
5. Tilt the left-side wheel shaft into a drain pan and allow the gear oil to drain through the top of the transmission.
6. After draining oil, reinstall the wheel, install a new gasket (do not reuse old gasket) and screw on transmission cover.
7. Refill transmission using GL-4 gear oil (SAE 85W-140 or SAE 140).
8. Refill the engine with motor oil and replenish the fuel tank with gasoline.

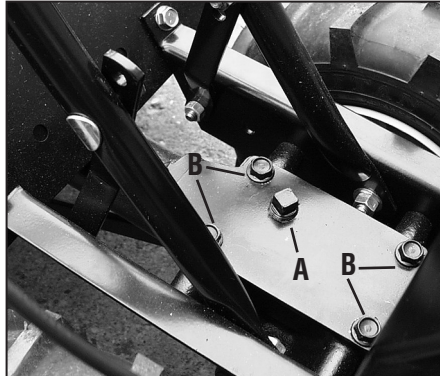


Figure 5-2: Remove oil fill plug (A) to check gear oil level and to add gear oil. Remove four cover screws (B) to drain gear oil.

TINES

The tines wear with use and they should be inspected at the beginning of each tilling season and after every 30 operating hours. The tines can be replaced individually or as a complete set. Refer to the Parts List Section of this manual for tine identification information.



WARNING

This is a CRT (counter-rotating tine) tiller and its tines must be mounted in the direction shown in Figure 5-3. If mounted with curves in the opposite direction, tiller will dig poorly and be more likely to run backward.

Failure to comply could result in personal injury or property damage.

NOTE: You must first remove the tiller hood before removing either a single tine holder or individual tines. Remove the two screws at the front of the hood and the two screws at the rear of the hood and lift off the hood. Be sure to replace the hood securely after changing a tine or tine holders.

A. Tine Inspection:

With use, the tines will become shorter, narrower and pointed. Badly worn tines will result in a loss of tilling depth and

reduced effectiveness in general, and specifically when chopping up and turning under organic matter.

B. Removing and Installing Tine Assemblies

1. Use a 9/16" socket, 6" extension, a ratchet, and a 9/16" box end wrench to loosen the nut (A, Figure 5-3) and screw (B) that secure the tine holder to the tine shaft.
2. Use a rubber mallet to tap the tine holder loose. Slide tine assembly off.
3. Repeat Steps 1 and 2 above to remove the other tine assembly.
4. Installing the tine assembly is simply the reverse of its removal. First be sure to remove any rust, uneven spots or burrs from the tine shaft using fine sandpaper. Then grease the tine shaft before reinstalling the tine assemblies. Be sure all the cutting edges face so they will enter the soil first when the tiller is moving forward— this means the cutting edge on the top of each tine faces toward the operator position. Tighten hardware.

C. Removing and Installing Individual Tines

1. Use two 9/16" box end wrenches to remove the two screws (C, Figure 5-3) and nuts (D) that secure the tine to its tine holder.

NOTE: If the nuts are rusted, apply penetrating oil, then loosen the hardware.

2. When installing individual tines, do so in the reverse order from which they were removed. The two sets of *inboard* tines are installed so one set faces toward the transmission and the other faces away from it. The single *outboard* tine set faces toward the transmission housing. Also be sure the cutting edge at the top of each tine faces toward the operator position. (See Figure 5-3.)

Section 5: Maintenance



WARNING Before inspecting, cleaning or servicing the unit, shut off engine, wait for all parts to come to a complete stop, disconnect spark plug wire and move wire away from spark plug. Failure to follow these instructions can result in serious personal injury or property damage.

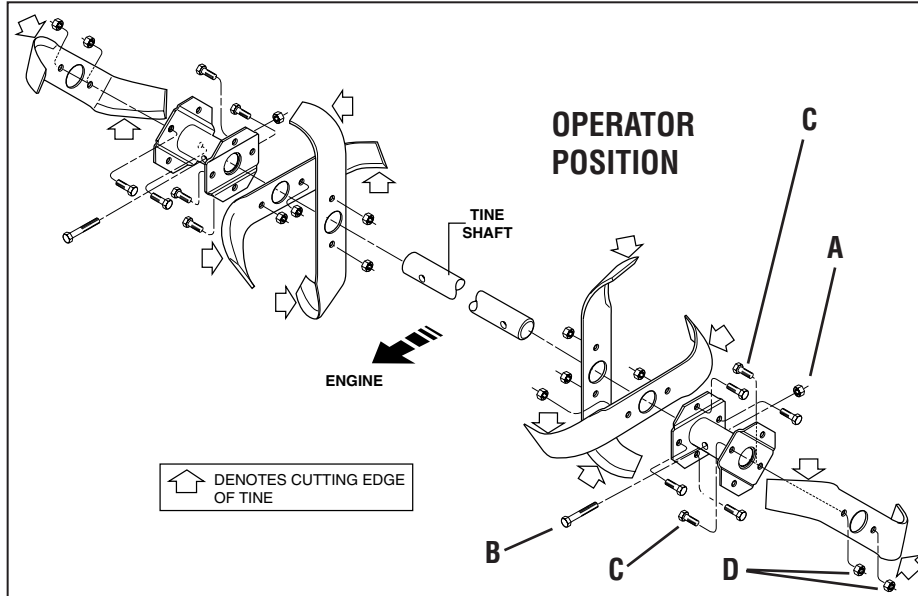


Figure 5-3: Tines, tine holders and installation hardware.

Clutch Bail all the way up to the bottom of the upper handlebars, you will need to loosen the belt tension.

Also check the belt for cracks, cuts or frayed edges and replace it as soon as possible.

- Check belt tension after the first two hours of initial operation (new belt).
- Check belt tension after every 10 operating hours.

To Check Forward Belt Tension:

1. Be sure that the engine is stopped and the spark plug wire is disconnected and moved away from the spark plug.

2. Loosen nut “C” (Figure 5-4) several turns so it is about halfway up the threaded adjustment screw.

3. Lift the Forward Clutch Bail up and hold it to the bottom of the handlebars. Measure the length of the clutch bail spring (A, Figure 5-4) with a ruler. If the belt tension is correct, the length of the coiled portion of the spring should be approximately 1-7/8". Nut “C” should then be snugged down against the top of the adjuster (B).

4. If the spring is too short, the belt tension will be too loose. If the spring is too long, the belt tension will be too tight.

5. To adjust the length of the spring, release the Forward Clutch Bail. Thread the hex nut (C, Fig. 5-4) halfway up the adjustment screw. Turn the screw inside the spring (A, Figure 5-4) counterclockwise (as viewed from the operator’s position) while holding the adjuster (B) steady to increase the length of the spring, or turn clockwise (as viewed from the operator’s position) to decrease the length of the spring.

NOTE: If you have difficulty holding the adjuster steady by hand, use a pliers or wrench on the adjuster. While you turn the screw, keep the Forward Clutch Cable

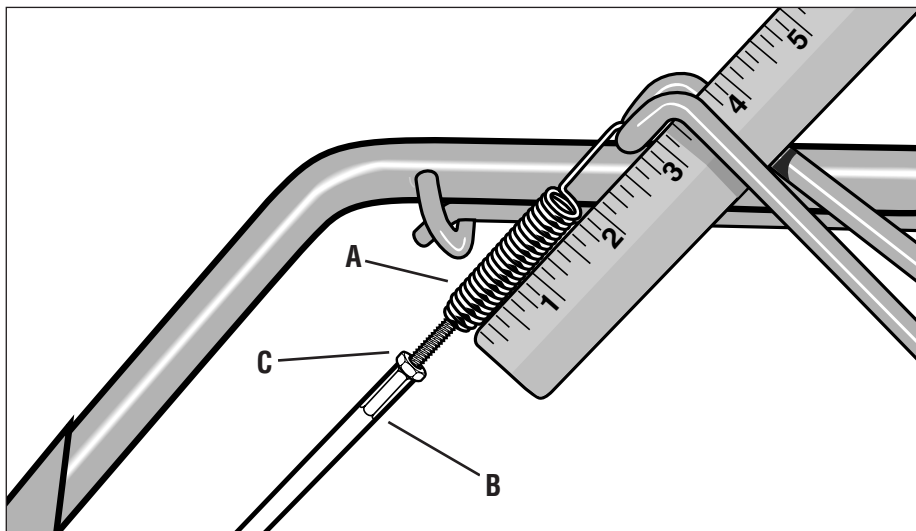


Figure 5-4: Lift bail and check length of Clutch Bail Spring to check for correct belt tension (1-7/8").

CHECKING AND ADJUSTING FORWARD DRIVE BELT TENSION

Maintaining correct tension on the forward drive belt is important to good tilling performance and long belt life. A loose belt will slip on the engine and

transmission pulleys and cause the tines and wheels to slow down – or stop completely – even though the engine is running at full speed. A loose belt can also result in premature belt wear.

If you find you can not bring the Forward



WARNING Before inspecting, cleaning or servicing the unit, shut off engine, wait for all parts to come to a complete stop, disconnect spark plug wire and move wire away from spark plug. Failure to follow these instructions can result in serious personal injury or property damage.



from turning by gripping the upper end of the threaded adjuster (B) with pliers.

6. Repeat Step 3 to measure the length of the clutch bail spring. Once the length is correct, retighten the hex nut against the top of the adjuster.

Forward Belt Replacement Information

If the drive belt needs to be replaced, see your local authorized dealer or phone the factory as instructed on Page 2. Refer to the Parts List in the back of this manual for correct components. Use only OEM (Original Equipment Manufacturer) replacement belts. A substitute belt may not perform satisfactorily. The procedure requires average mechanical ability and commonly available tools.

FORWARD CLUTCH BAIL ADJUSTMENT

If the Forward Clutch Bail does not function properly, first check that the forward drive belt is adjusted properly (see "Checking and Adjusting Forward Drive Belt Tension"). If this fails to correct the problem, contact the factory technical service department or your authorized dealer for service advice.

CHECKING AND ADJUSTING REVERSE DRIVE BELT TENSION

Maintaining correct tension on the reverse drive belt is important to good performance and long belt life. A loose belt will slip on the engine and transmission pulleys and cause the tines and wheels to slow down – or stop completely – even though the engine is running at full speed. A loose belt can also result in premature belt wear.

If there is no reverse action when the Reverse Clutch Control knob is pulled out, then the belt tension is too loose.

When checking belt tension, also check the belt for cracks, cuts or frayed edges and replace it as soon as possible.

- Check belt tension after the first two hours of break-in operation (new belt).
- Check belt tension after every 10 operating hours.

To Check Reverse Belt Tension:

1. Be sure that the engine is stopped and the spark plug wire is disconnected and moved away from the spark plug.
2. Remove the screw in the plastic belt cover and slide the cover (which is attached to the forward clutch cable) out of the way.
3. Have an assistant pull the Reverse Clutch Control knob all the way out and hold it in that position. Measure the length of the cable wire between the end of the threaded cable adjuster (A, Figure 5-5) and the end of the Z-fitting (B) to which the cable wire is attached.
4. The belt tension is ideal if the cable wire length measures between 1/8" to 1/4". If the length is less than 1/8" (and if there is no reverse action when the tiller is running), then make the following adjustments. NOTE: If the length is more than 1/4", no adjustment is needed, as long as the reverse action functions properly.
5. Release the Reverse Clutch Control knob. Unthread the inner jam nut (C, Figure 5-6) one to two turns and pull the threaded cable adjuster (A, Figure 5-6) to the left until the inner jam nut rests against the bracket.
6. Prevent the inner jam nut (C) from turning and tighten the outer jam nut (D) against the bracket. Prevent the outer jam nut (D) from turning and tighten the inner jam nut (C) against the bracket.
7. Measure the gap by repeating Step 3. Readjust as needed by repeating Steps 5 and 6.
8. Reinstall the belt cover.

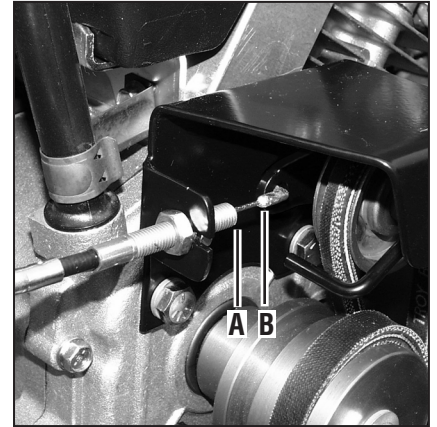


Figure 5-5: Measure cable wire length to check for correct reverse belt tension.

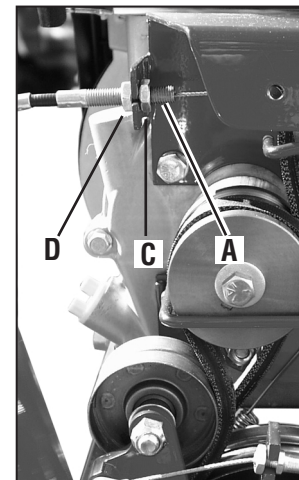


Figure 5-6: Move threaded adjuster (A) to left to increase belt tension.

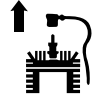
Reverse Belt Replacement Information

If the drive belt needs to be replaced, see your local authorized dealer or phone the factory as instructed on Page 2. Refer to the Parts List in the back of this manual for correct components. Use only OEM (Original Equipment Manufacturer) replacement belts. A substitute belt may not perform satisfactorily. The procedure requires average mechanical ability and commonly available tools.

Section 5: Maintenance



WARNING Before inspecting, cleaning or servicing the unit, shut off engine, wait for all parts to come to a complete stop, disconnect spark plug wire and move wire away from spark plug. Failure to follow these instructions can result in serious personal injury or property damage.



ENGINE OIL SERVICE

Check the engine oil level before starting the engine each day and check it after each 5 hours of continuous operation. Running the engine when it is low on oil will quickly ruin the engine.

It is recommended that you change the motor oil after every 10 hours of operation and even sooner when operating in extremely dirty or dusty conditions. Refer to the separate Engine Owner's Manual for detailed service instructions.

A. To Check the Engine Oil Level:

1. Move the tiller to a level area and shut off the engine.
2. Level the engine by adjusting the Depth Regulator Lever. The tines must be in contact with the ground. Move the Anti-Reverse Stake back if necessary.
3. Clean the area around the oil dipstick or oil fill tube to prevent dirt from falling into the crankcase.
4. On engines with an oil fill tube, remove the filler cap, add oil (if required) until it reaches the top of the tube and reinstall the filler cap.
5. On engines with a dipstick, remove it, wipe it clean, and reinstall it finger-tight. Remove the dipstick and check the reading. Add oil (if required) to bring the level to the FULL mark. Do not overfill.

B. To Change the Engine Oil:

Change the engine oil as instructed in the separate Engine Owner's Manual.

ENGINE CLEANING

Keep the engine clean to assure smooth operation and to prevent damage from overheating. Refer to the separate Engine Owner's Manual for specific repair and cleaning instructions. All inspections and services must be done with the engine shut off and cool to the touch.

AIR CLEANER SERVICE

The engine air cleaner filters dirt and dust out of the air before it enters the carburetor. Operating the engine with a dirty, clogged air filter can cause poor performance and damage to the engine. Never operate the engine without the air cleaner installed. Inspect and service the air cleaner more often if operating in very dusty or dirty conditions.

Service the air cleaner as instructed in the separate Engine Owner's Manual.

SPARK PLUG SERVICE

Inspect and clean or replace the spark plug after every 100 operating hours or annually. Clean the plug and set the gap as described in the separate Engine Owner's Manual.

In some areas, local law requires using resistor spark plugs to suppress ignition signals. If the engine was originally equipped with a resistor spark plug, use the same type for replacement.

SPARK ARRESTER SCREEN SERVICE

If the engine muffler is equipped with a spark arrester screen, remove and clean it according to the time intervals and instructions in the separate Engine Owner's Manual.

THROTTLE LEVER ADJUSTMENT

If the engine does not respond to various throttle lever settings, refer to the separate Engine Owner's Manual for service information or contact your local authorized engine service dealer.

CARBURETOR/GOVERNOR CONTROL ADJUSTMENTS

The carburetor was adjusted at the factory for best operating speed. Refer to the separate Engine Owner's Manual for any adjustment information or see your authorized engine service dealer.

The governor controls the maximum safe operating speed and protects the engine and all moving parts from damage caused by overspeeding. Do not tamper with the engine governor settings.



WARNING

Operators shall not tamper with the engine governor settings on the machine; the governor controls the maximum safe operating speed to protect the engine and all moving parts from damage caused by overspeed. Authorized service shall be sought if a problem exists.

OFF SEASON STORAGE

When the tiller won't be used for extended periods, prepare it for storage as follows:

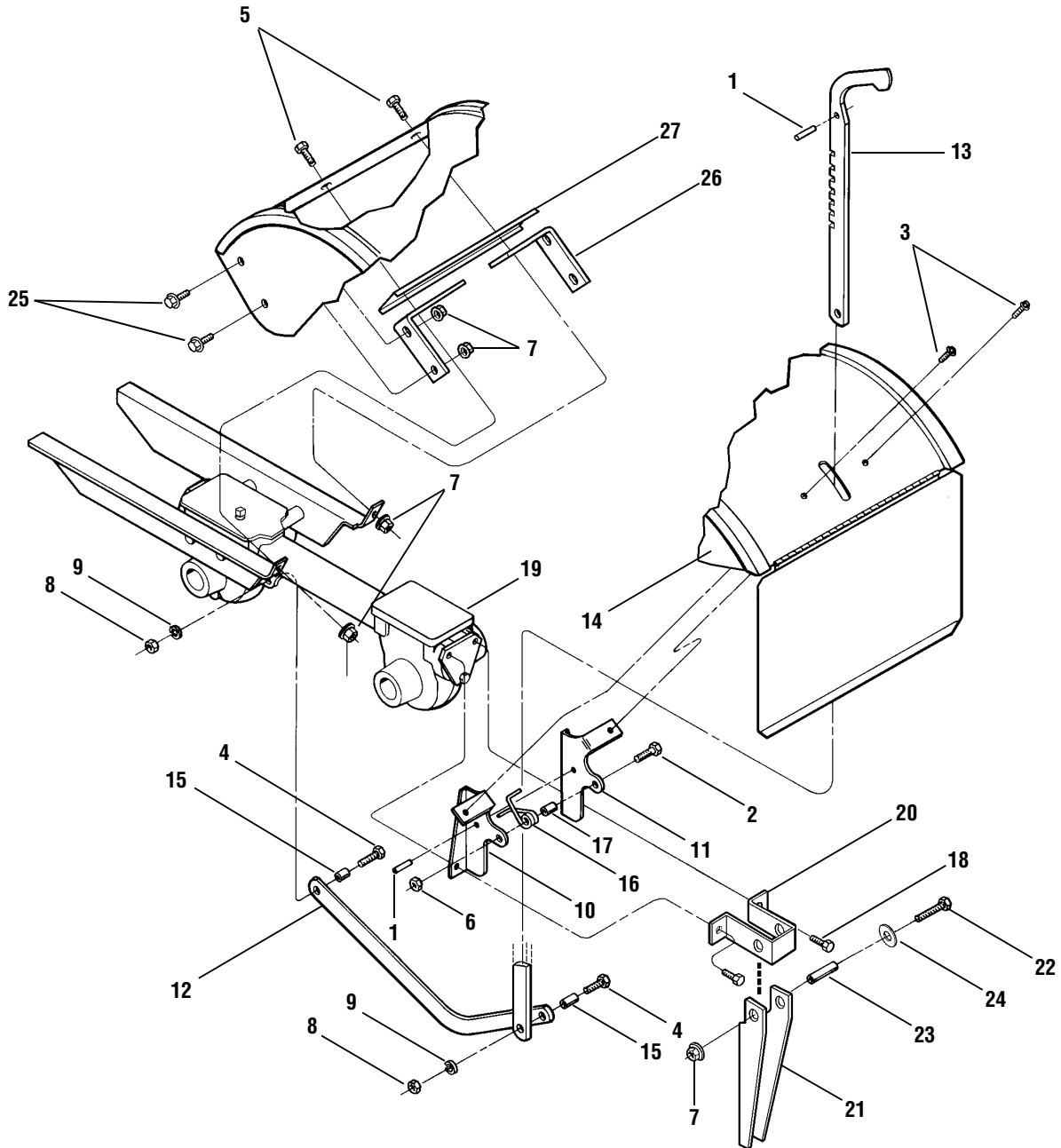
1. Clean the tiller and engine.
2. Do routine tiller lubrication and check for loose parts and hardware.
3. Protect the engine and perform recommended engine maintenance by following the engine storage instructions found in the separate Engine Owner's Manual. NOTE: Be sure to protect the fuel lines, carburetor and fuel tank from gum deposits by removing fuel or by treating fuel with a fuel stabilizer (follow engine manufacturer's recommendations).
4. Store unit in a clean, dry area.
5. Never store the tiller with fuel in the fuel tank in an enclosed area where gas fumes could reach an open flame or spark, or where ignition sources are present (space heaters, hot water heaters, furnaces, etc.).

TROUBLESHOOTING

Before performing any corrections, refer to the appropriate information in this Manual, or in the Engine Owner's Manual, for the correct safety precautions and operating or maintenance procedures. Contact your local authorized Engine Service Dealer for engine service. Contact your local authorized equipment dealer or the factory for all other service problems.

| PROBLEM | POSSIBLE CAUSE | CORRECTION |
|--|--|--|
| Engine does not start. | <ol style="list-style-type: none"> 1. Spark plug wire disconnected. 2. Engine Throttle Control Lever incorrectly set. 3. Fuel tank empty. 4. Choke control (if so equipped) in incorrect position. 5. Stale gasoline. 6. Dirty air filter(s). 7. Defective or incorrectly gapped spark plug. 8. Carburetor out of adjustment. 9. Misadjusted throttle control cable. 10. Dirt or water in fuel tank. | <ol style="list-style-type: none"> 1. Reconnect wire. 2. Put lever in START position. 3. Add fuel. 4. See Engine Owner's Manual. 5. Drain fuel and add fresh fuel. 6. Clean or replace filter(s). 7. Inspect spark plug. 8. See Engine Service Dealer. 9. See Engine Service Dealer 10. See Engine Service Dealer. |
| Engine runs poorly. | <ol style="list-style-type: none"> 1. Defective or incorrectly gapped spark plug. 2. Dirty air filter(s). 3. Carburetor out of adjustment. 4. Stale gasoline. 5. Dirt or water in fuel tank. 6. Engine cooling system clogged. | <ol style="list-style-type: none"> 1. Inspect spark plug (see Engine Owner's Manual). 2. Clean or replace (see Engine Owner's Manual). 3. See Engine Service Dealer. 4. Replace with fresh gasoline. 5. See Engine Service Dealer. 6. Clean air cooling system (see Engine Owner's Manual). |
| Engine overheats. | <ol style="list-style-type: none"> 1. Engine cooling system clogged. 2. Carburetor out of adjustment. 3. Oil level is low. | <ol style="list-style-type: none"> 1. Clean air cooling area (see Engine Owner's Manual). 2. See Engine Service Dealer. 3. Check oil level (see Engine Owner's Manual). |
| Engine does not shut off. | <ol style="list-style-type: none"> 1. Misadjusted throttle control or ignition switch. | <ol style="list-style-type: none"> 1. See Engine Owner's Manual or Engine Service Dealer. |
| Wheels and Tines will not turn. | <ol style="list-style-type: none"> 1. Improper use of controls. 2. Worn, broken, or misadjusted drive belt(s). 3. Internal transmission wear or damage. 4. Bolt loose in transmission pulley. | <ol style="list-style-type: none"> 1. Review Sections 3 and 4. 2. See "Checking Drive Belt Tension," Section 5. 3. Contact local dealer or the factory. 4. Tighten bolt. |
| Tines turn, but wheels don't. | <ol style="list-style-type: none"> 1. Wheel Drive Pins not in WHEEL DRIVE. 2. Internal transmission wear or damage. | <ol style="list-style-type: none"> 1. See "Wheel Drive Pins" in Section 3. 2. Contact local Dealer or the Factory. |
| Wheels Turn, but Tines Don't. | <ol style="list-style-type: none"> 1. Tine holder mounting hardware missing. 2. Internal transmission wear or damage. | <ol style="list-style-type: none"> 1. Replace hardware. 2. Contact local Dealer or the Factory. |
| Poor tilling performance. | <ol style="list-style-type: none"> 1. Worn tines. 2. Improper Depth Regulator setting. 3. Incorrect throttle setting. 4. Forward Drive Belt slipping. | <ol style="list-style-type: none"> 1. See "Tines" (Section 5). 2. See "Tilling Tips & Techniques," Section 4. 3. See Section 4. 4. See "Checking Forward Drive Belt Tension," Section 5. |

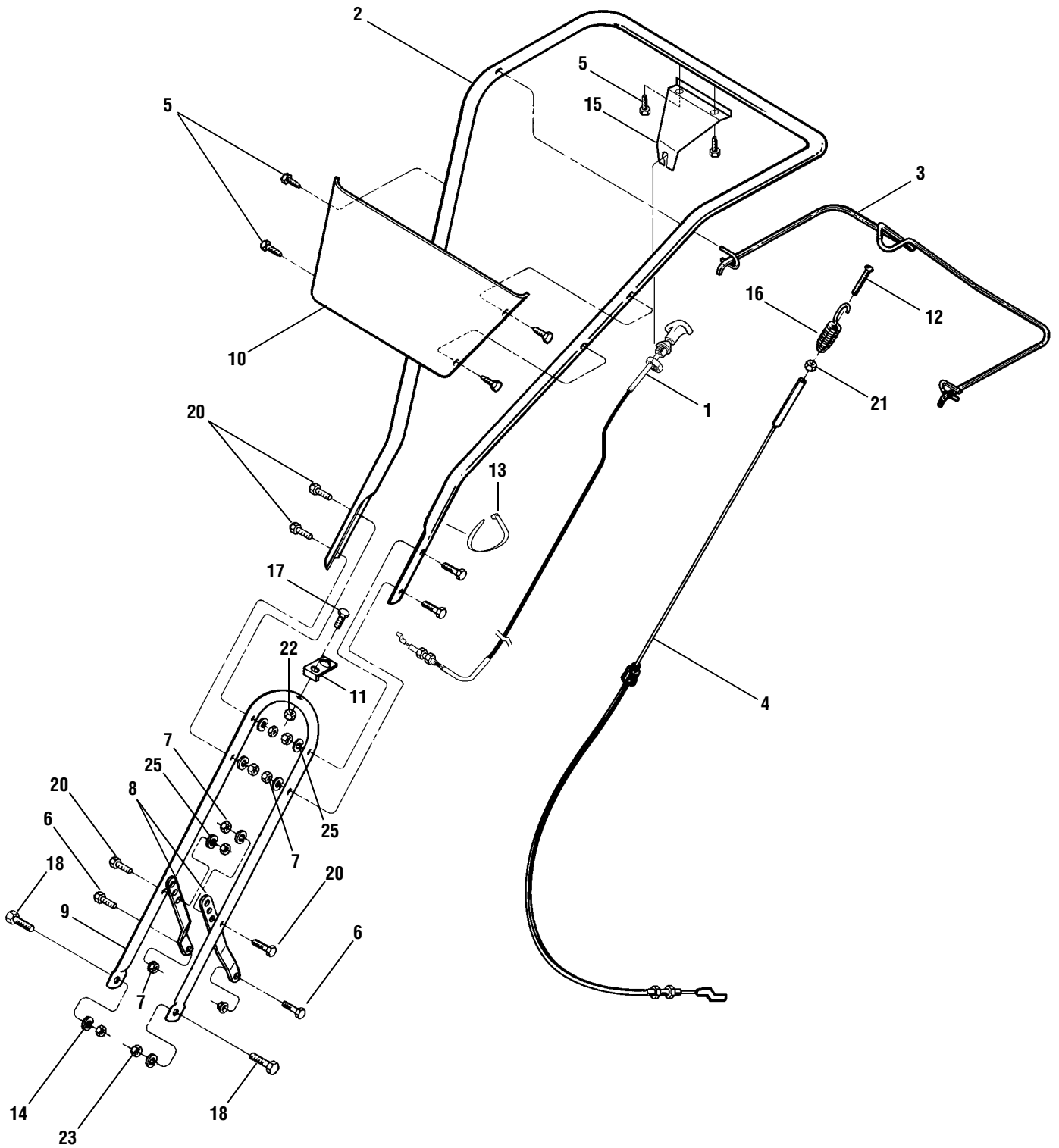
Section 6 Parts List



MODELS 644H & 645A

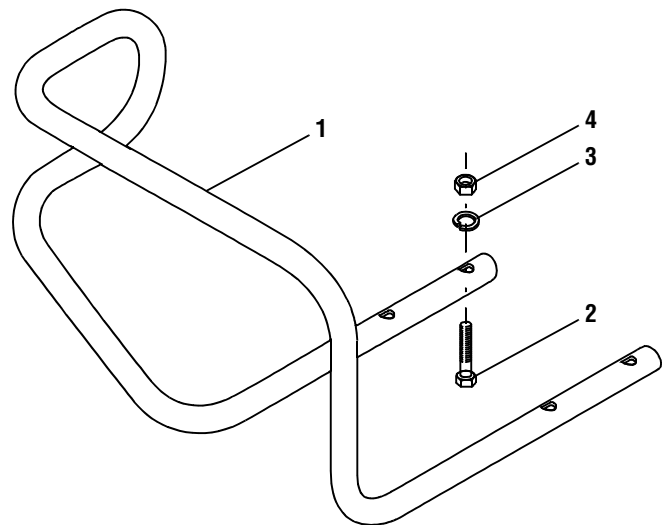
| REF NO. | PART NO. | DESCRIPTION |
|----------------|-----------------|-----------------------------------|
| 1 | 1185469 | Spirol Pin |
| 2 | 710-0597 | Hex Hd. Screw, 1/4-20 x 1 |
| 3 | 710-0599 | Screw, Self-Tapping, 1/4-20 x 1/2 |
| 4 | 710-0874 | Hex Hd. Screw, 5/16-18 x 1-1/4 |
| 5 | 1186331 | Hex Hd. Screw, 5/16-18 x 1.0 |
| 6 | 712-0291 | Hex Lock Nut, 1/4-20 |
| 7 | 712-3004A | Hex Flange Lock Nut, 5/16-18 |
| 8 | 712-3009 | Hex Nut, 5/16-18 |
| 9 | 736-0119 | Lock Washer, 5/16 |
| 10 | GW-55013-1 | Hood Bracket, Left Hand |
| 11 | GW-55013-2 | Hood Bracket, Right Hand |
| 12 | GW-55015 | Drag Bar |
| 13 | GW-55018 | Depth Regulator Lever |
| 14 | 686-04029 | Tine Hood Assembly |
| 15 | GW-55088 | Bushing |
| 16 | GW-9384 | Spring, Depth Regulator |
| 17 | GW-9534 | Spacer |
| 18 | 710-04048 | Hex Hd. Flange Screw, 5/16-18 x 1 |
| 19 | 618-04046 | Transmission Assembly (CRT) |
| 20 | 1916569 | Flap Stop Bracket |
| 21 | 1916570 | Reverse Stop Arm |
| 22 | 710-3073 | Hex Screw, 5/16-18 x 2.25 |
| 23 | 1916771 | Spacer, .462 x .328 x 1.63 |
| 24 | 1107382 | Flat Washer, 5/16 |
| 25 | 710-3025 | Hex Screw, 5/16-18 x .625 |
| 26 | 1916708 | Hood Support Bracket |
| 27 | 1916707 | Channel Support Bracket |

MODELS 644H & 645A

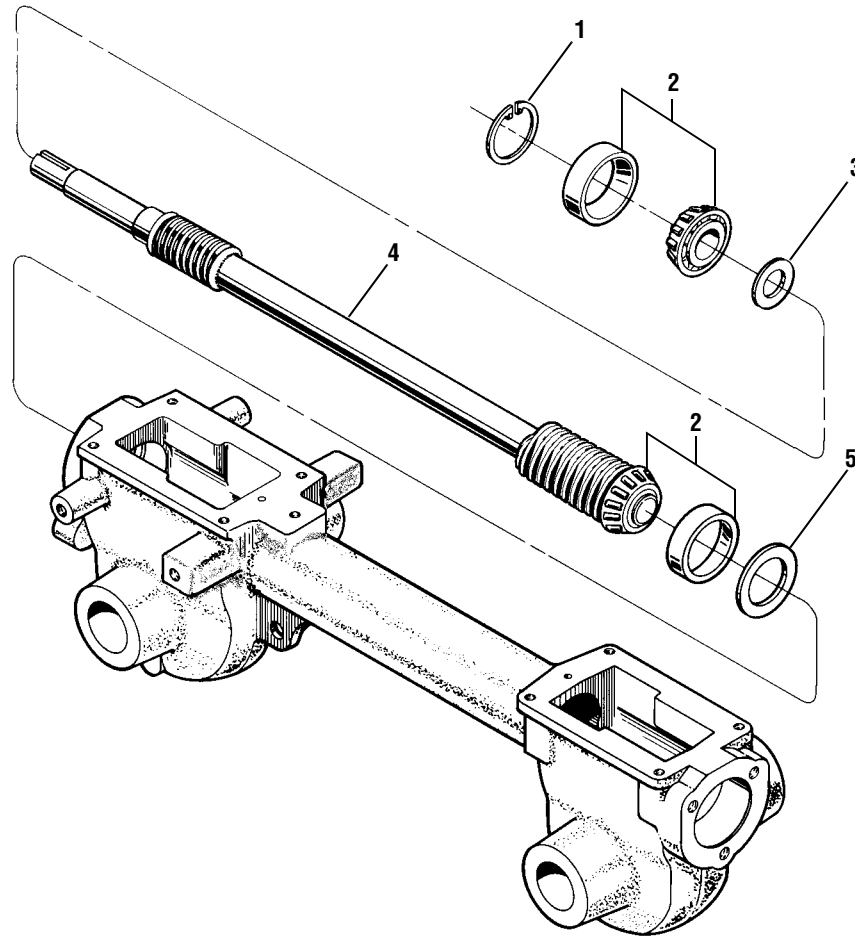


| REF NO. | PART NO. | DESCRIPTION |
|---------|----------|-----------------------------------|
| 1 | 1916719 | Cable Assembly, Reverse Clutch |
| 2 | 1916755 | Upper Handlebar |
| 3 | 1917479 | Bail, Forward Clutch |
| 4 | 1918745 | Cable Assembly, Forward Clutch |
| 5 | 710-0599 | Screw, Self-Tapping, 1/4-20 x 1/2 |
| 6 | 710-3008 | Screw, Hex, 5/16-18 x 3/4 |
| 7 | 712-3009 | Hex Lock Nut, 5/16-18 |
| 8 | GW-55042 | Handlebar Support |
| 9 | GW-55043 | Lower Handlebar |
| 10 | GW-55102 | Panel |
| 11 | GW-55044 | Tab, Conduit Mount |
| 12 | GW-9855 | Screw, #10-24 x 2 |
| 13 | 725-0157 | Cable Tie |
| 14 | 736-3050 | Flat Washer, 3/8 |
| 15 | 1916674 | Bracket, Reverse Clutch Cable |
| 16 | 1916712 | Spring, Forward Clutch |
| 17 | 710-0106 | Hex Hd. Screw, 1/4-20 x 1-1/4 |
| 18 | 710-0216 | Screw, Hex, 3/8-16 x 3/4 |
| 20 | 710-0805 | Screw, Hex, 5/16-18 x 1-1/2 |
| 21 | 712-0121 | Hex Nut, #10-24 |
| 22 | 712-0291 | Hex Lock Nut, 1/4-20 |
| 23 | 712-3000 | Hex Nut, 3/8-16 |
| 25 | 736-0119 | Lock Washer, 5/16 |

| REF NO. | PART NO. | DESCRIPTION |
|---------|----------|---------------------------------|
| 1 | 1918749 | Bumper |
| 2 | 710-0395 | Hex Screw, 5/16-18 x 2-1/4, Gr5 |
| 3 | 712-0267 | Nut, Hex, 5/16-18 |
| 4 | 736-0119 | Lock Washer, 5/16 |



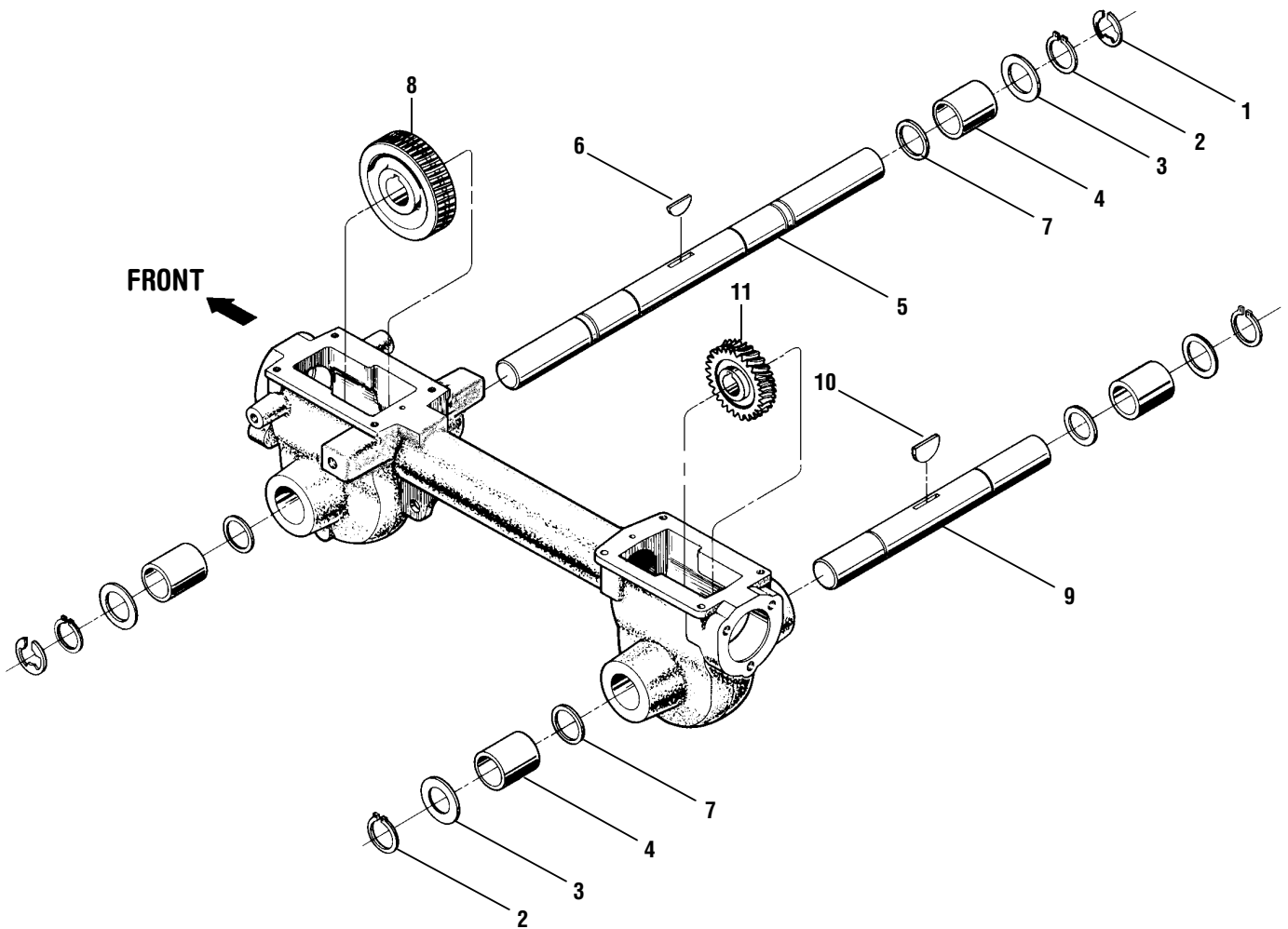
MODELS 644H & 645A



| REF NO. | PART NO. | DESCRIPTION |
|---------|------------|--|
| 1 | GW-9517 | Snap Ring |
| 2 | GW-1714 | Bearing, Tapered Roller (with race) |
| 3 | GW-50043 | Support Washer, Rear |
| 4 | 711-04110 | Drive Shaft (CRT) |
| 5 | GW-1224-1* | Shim, Rear Bearing Cap, .010" thick |
| | GW-1224-2* | Shim, same as above, except .030" thick |
| | GW-1224-3* | Shim, same as above, except .005" thick |
| | GW-1224-4* | Shim, same as above, except .062" thick |
| — | GW-1325C | Shim Set (Incl. the following shims: two #1224-1, two 1224-2 & one #1224-4) |

* Use as required to obtain between .005" and .015" allowable end-play.

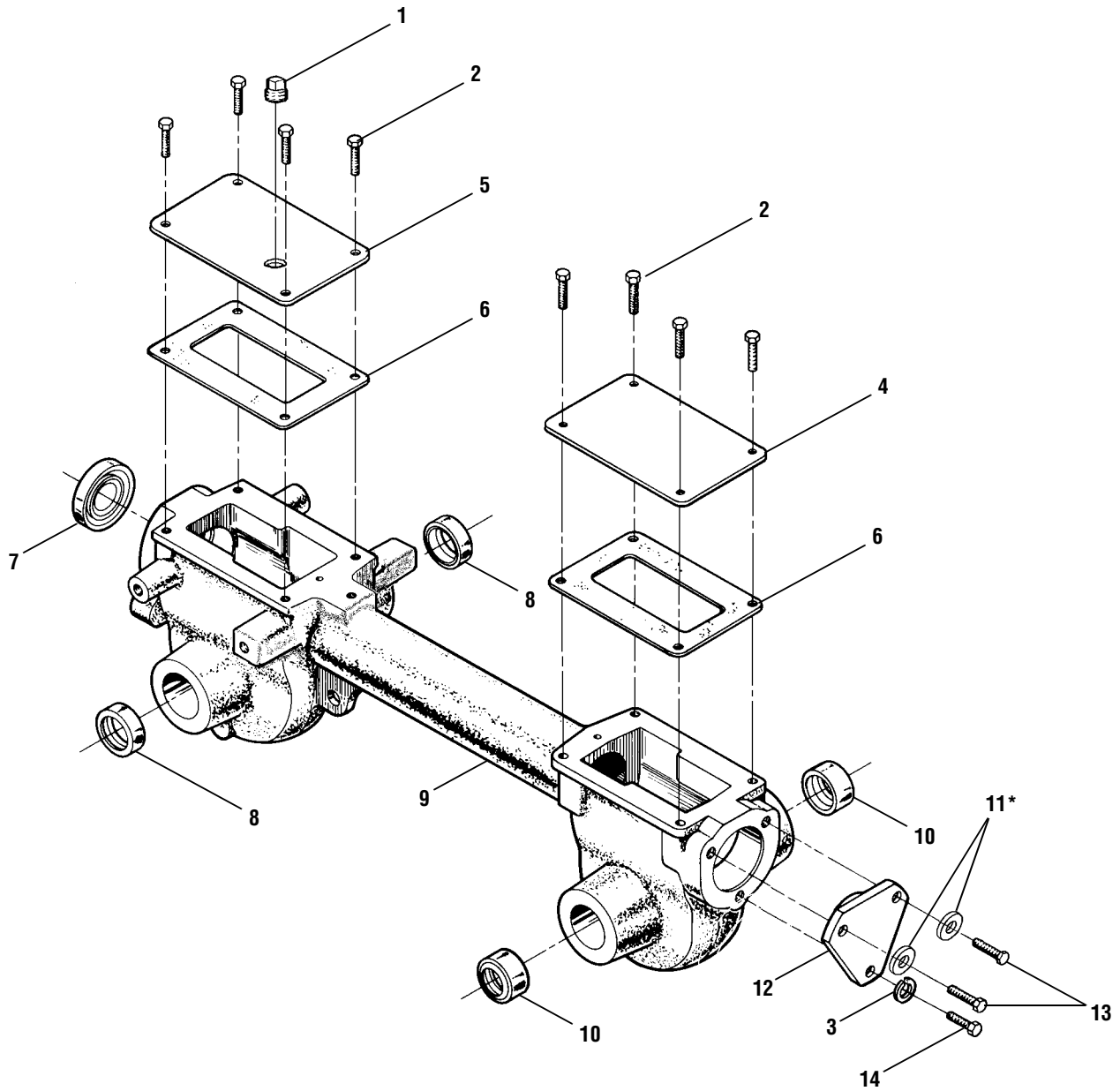
MODELS 644H & 645A



| REF NO. | PART NO. | DESCRIPTION |
|---------|------------|-------------------------------|
| 1 | GW-9512 | Retainer, Snap Ring, "E" Type |
| 2 | 1909950 | Retainer, Snap Ring |
| 3 | GW-1166-1* | Shim, 0.062" thick |
| | GW-1166-2* | Shim, 0.030" thick |
| | GW-1166-3* | Shim, 0.015" thick |
| | GW-1166-4* | Shim, 0.010" thick |
| | GW-1166-5* | Shim, 0.005" thick |
| 4 | GW-1086 | Bronze Bushing |
| 5 | 711-04092 | Wheel Shaft (CRT) |
| 6 | GW-9305 | Key, Hi-Pro, 1/4 x 1 |
| 7 | GW-1132-2 | Spacer |
| 8 | 1904278 | Worm Gear, Wheel Shaft |
| 9 | 711-04078 | Tiller Shaft |
| 10 | GW-1104 | Woodruff Key |
| 11 | 1904279 | Worm Gear, Tiller Shaft |

* Use as required to obtain between .005" and .030" allowable end-play.

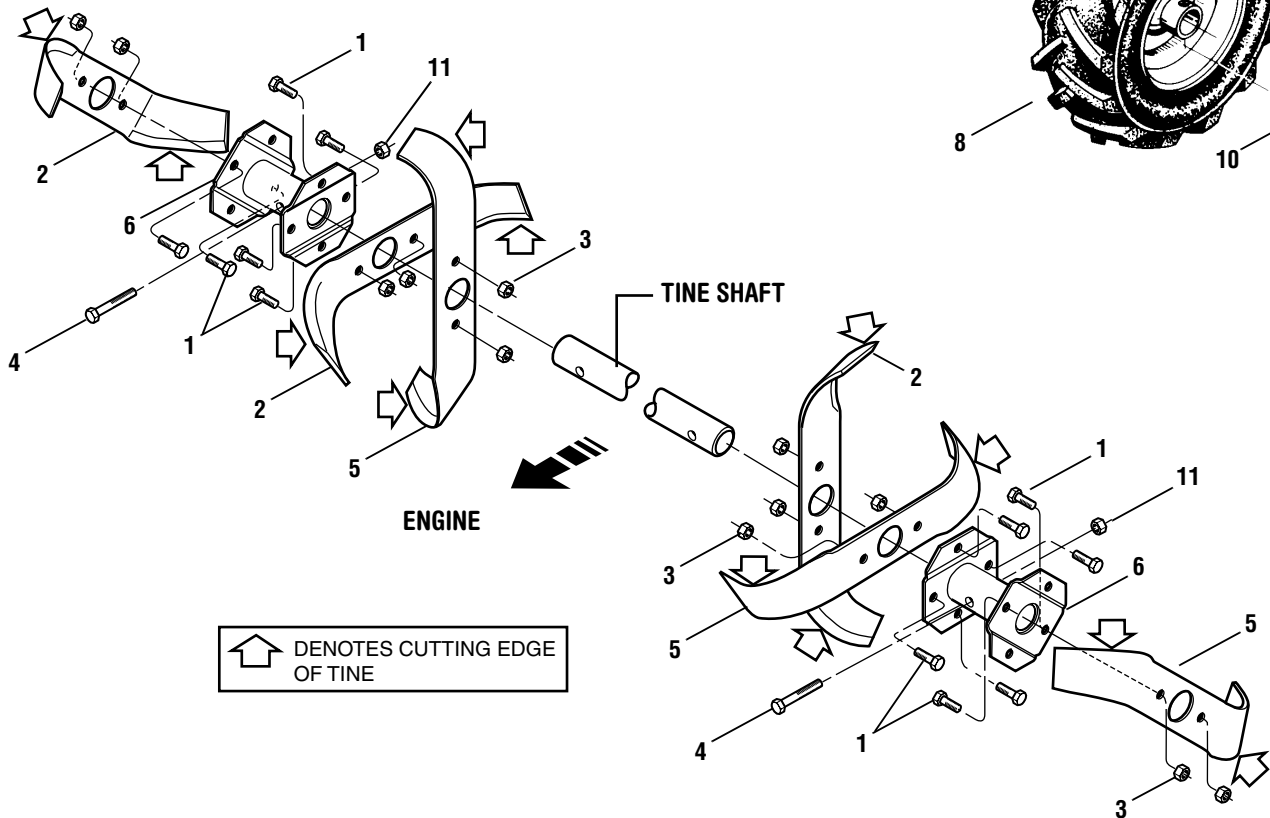
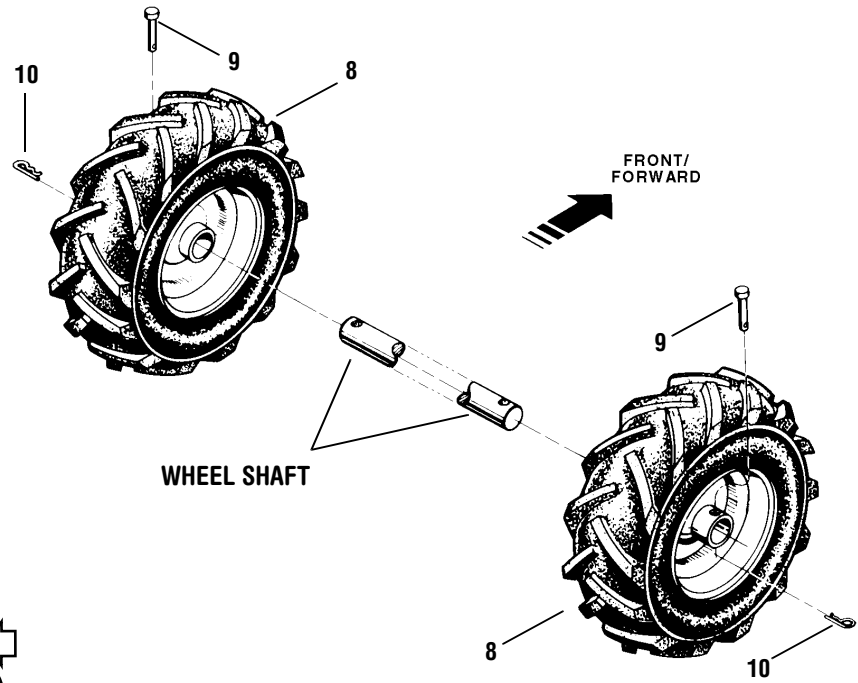
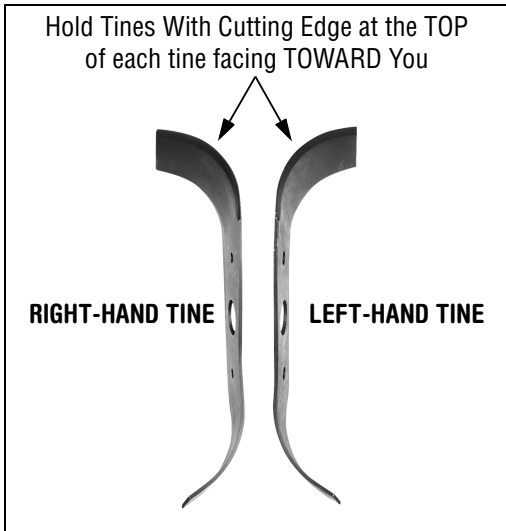
MODELS 644H & 645A



* Included with transmission when purchased as an assembly only. Remove and discard when installing the transmission on tiller.

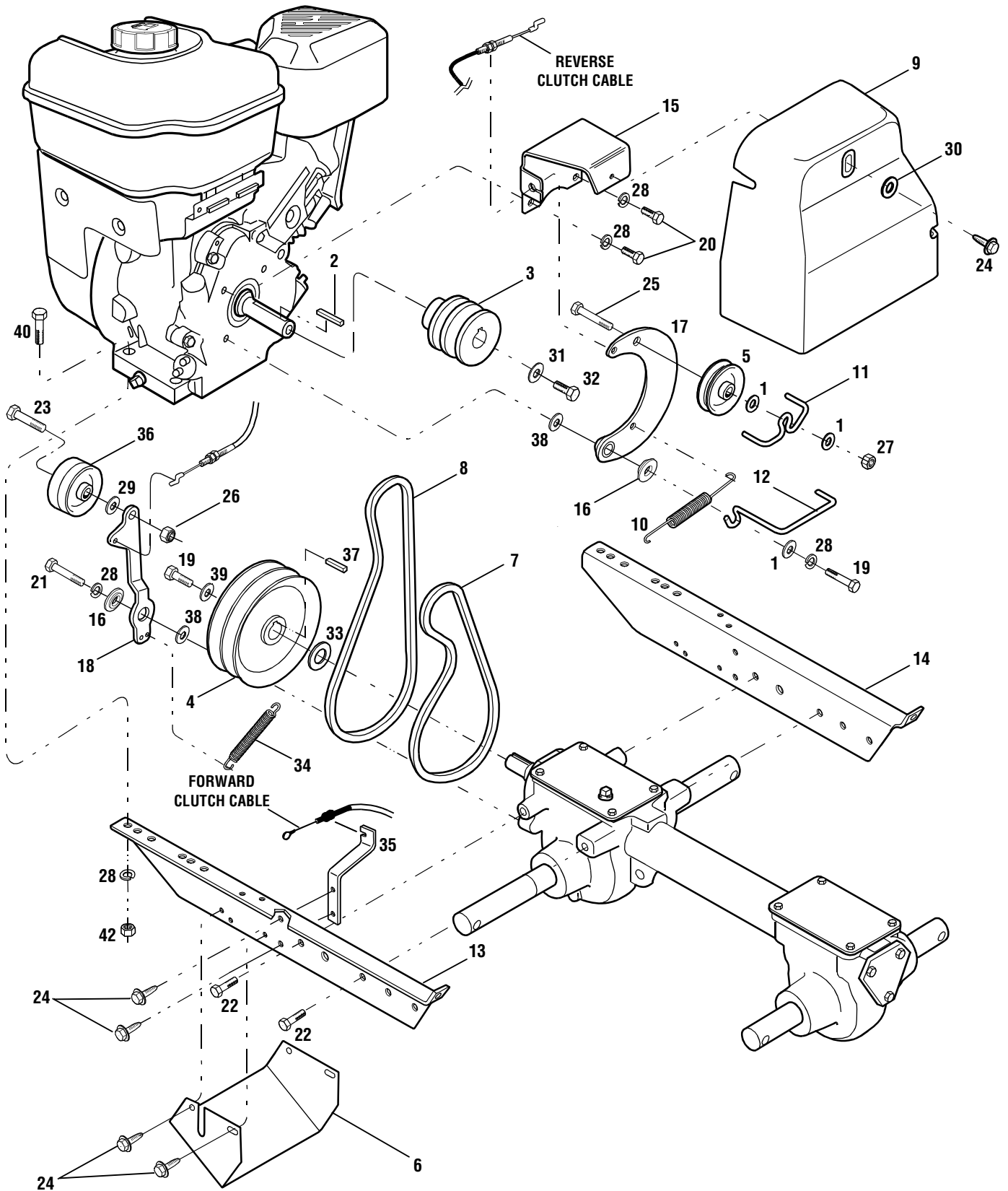
| REF NO. | PART NO. | DESCRIPTION | REF NO. | PART NO. | DESCRIPTION |
|---------|-----------|--|---------|-----------|-------------------------------------|
| 1 | GW-9727 | Plug, Transmission Oil Fill | 8 | 721-04031 | Oil Seal, Wheel Shaft |
| 2 | 710-04049 | Hex Hd. Flange Screw, 5/16-18 x 5/8, Gr. 5 | 9 | 619-04013 | Transmission Housing Assembly |
| 3 | 736-0119 | Lock Washer, 5/16 | 10 | 721-04036 | Oil Seal, Tine Shaft |
| 4 | 1918377 | Rear Cover, Transmission | 11 | 736-3008* | Washer, Flat, .344 x .750 x .120 |
| 5 | 1916641 | Front Cover, Transmission | 12 | 718-04008 | Rear Bearing Cap |
| 6 | GW-50032 | Gasket, Housing Cover | 13 | 710-04048 | Hex Hd. Flange Screw, 5/16-18 x 1 |
| 7 | 721-04030 | Oil Seal, Drive Shaft | 14 | 710-3008 | Hex Hd. Flange Screw, 5/16-18 x 3/4 |

MODELS 644H & 645A



| REF NO. | PART NO. | DESCRIPTION | REF NO. | PART NO. | DESCRIPTION |
|---------|----------|---------------------------------------|---------|----------|--|
| 1 | 710-3008 | Hex Hd. Screw, 5/16-18 x 3/4, Grade 5 | 8 | 1917487 | Wheel & Tire Ass'y — Left/Right Side |
| 2 | 1817060 | Single Tine - Right Hand | 9 | GW-9380 | Clevis Pin, .312" x 1-3/4" |
| 3 | 712-3009 | Hex Lock Nut, 5/16-18 | 10 | GW-9338 | Hair Pin Cotter |
| 4 | 710-3096 | Hex Hd. Screw, 3/8-16 x 2 | 11 | 712-3000 | Hex Lock Nut, 3/8-16 |
| 5 | 1817059 | Single Tine - Left Hand | — | 1817059 | Replacement Tines Set (Incl. three LH tines, three RH tines and required hardware) |
| 6 | 1916702 | LH Tine Holder | | | |
| 7 | 1916703 | RH Tine Holder | | | |

MODELS 644H & 645A



MODELS 644H & 645A

| REF NO. | PART NO. | DESCRIPTION |
|----------------|-----------------|-----------------------------------|
| 1 | 1107382 | Flat Washer, 5/16 |
| 2 | 1108841 | Key, 3/16" x 1-1/2" |
| 3 | 619-04016 | Pulley, Engine Drive |
| 4 | 1916532 | Transmission Pulley |
| 5 | 1916535 | Pulley, Reverse Idler |
| 6 | 1916652 | Guard, Belts/Pulleys |
| 7 | 1916657 | Forward Drive Belt |
| 8 | 1916658 | Reverse Drive Belt |
| 9 | 1916660 | Belt Cover |
| 10 | 1916724 | Reverse Return Spring |
| 11 | 1916725 | Belt Guide |
| 12 | 1916726 | Forward Belt Guide |
| 13 | 1916794 | Engine Bracket, Left |
| 14 | 1916795 | Engine Bracket, Right |
| 15 | 1917326 | Bracket, Belt Cover |
| 16 | 1917746 | Shoulder Washer |
| 17 | 1918731 | Reverse Idler Arm |
| 18 | 1918744 | Forward Idler Lever |
| 19 | 710-0117 | Hex Hd. Screw, 5/16-24 x 1 |
| 20 | 710-0237 | Hex Hd. Screw, 5/16-24 x 5/8 |
| 21 | 710-0376 | Hex Hd. Screw, 5/16-18 x 1 |
| 22 | 710-04049 | Hex Hd. Screw, 5/16-18 x 5/8 |
| 23 | 710-0520 | Hex Hd. Screw, 3/8-16 x 1-1/2 |
| 24 | 710-0599 | Screw, Self-Tapping, 1/4-20 x 1/2 |
| 25 | 710-3103 | Hex Hd. Screw, 5/16-18 x 2 |
| 26 | 712-3000 | Lock Nut, 3/8-16 |
| 27 | 712-3009 | Lock Nut, 5/16-18 |
| 28 | 736-0119 | Lock Washer, 5/16 |
| 29 | 736-3050 | Flat Washer, 3/8 |
| 30 | 736-3090 | Flat Washer |
| 31 | 736-0452 | Bell Washer |
| 32 | 710-0459A | Hex Hd. Screw, 3/8-24 x 1.5, GR5 |
| 33 | GW-50027 | Support Washer |
| 34 | GW-55034 | Forward Return Spring |
| 35 | GW-55049 | Bracket, Cable Mounting |
| 36 | GW-9090 | Forward Idler Pulley |
| 37 | GW-9301 | Key, 3/16" x 1" |
| 38 | GW-9929 | Flat Washer |
| 39 | GW-9944 | Belleville Washer |
| 40 | 710-0395 | Hex Screw, 5/16-18 x 2.25 Gr5 |

TROY-BILT TILLER LIFETIME LIMITED WARRANTY

WHAT PRODUCT IS COVERED All Troy-Bilt branded rear tine walk-behind tillers with gear drive transmissions. This warranty begins on the date of purchase and is warranted by Troy-Bilt LLC for the life of the tiller, to the original purchaser only.

WHAT IS COVERED BY THIS WARRANTY Troy-Bilt LLC will, at its option, repair or replace any part found to be defective in material or workmanship without charge for parts and labor

This limited lifetime warranty also applies to non-powered attachments and accessories. Powered attachments and accessories are warranted separately by their manufacturers. Refer to the applicable manufacturer's warranty on these items for terms and conditions.

WHAT IS NOT COVERED BY THIS WARRANTY This warranty does not apply to parts that have been damaged by accident, alteration, misuse, abuse, neglect, improper maintenance, vandalism, theft, fire, water, or damage because of peril or other natural disaster.

The following items are not covered after the first year of this residential use limited warranty: belts, batteries, bushings, seals, tines, tires, wheels, paint, appearance items, and similar items that are normally replaced through periodic maintenance.

Charges for pick-up, delivery, and service calls are not covered by this warranty.

Service completed by someone other than an authorized service dealer is not covered by this warranty.

Parts that are not genuine Troy-Bilt LLC service parts are not covered by this warranty.

The engine is warranted separately by the engine manufacturer. Refer to the engine manufacturer's warranty for terms and conditions.

LIMITED COMMERCIAL USE WARRANTY If used for commercial, institutional, industrial, rental, or demonstrator purposes, the warranty on the tiller is limited in duration to 90 days from the date of purchase.

This warranty does not apply to parts that have been damaged by accident, alteration, misuse, abuse, neglect, improper maintenance, vandalism, theft, fire, water, or damage because of peril or other natural disaster.

HOW TO OBTAIN SERVICE Warranty service is available, **with proof of purchase**, through your local authorized service dealer. To locate a dealer in your area, consult your Yellow Pages, or contact Troy-Bilt LLC at P.O. Box 361131, Cleveland, Ohio 44136-0019, 1-866-840-6483, or log on to our Web site at www.troybilt.com.

The provisions set forth in this warranty provide the sole and exclusive remedy arising from the sale. Troy-Bilt LLC shall not be liable for any incidental or consequential damage or expense of any kind, including but not limited to cost of equipment rental, loss of profits, or costs of hiring services to perform tasks normally performed by the equipment.

Any implied warranties, including any implied warranty of merchantability or fitness for a particular purpose, shall be limited in duration to the period of ownership by the original purchaser (and a maximum of 90 days from the date of sale if the tiller is purchased for commercial or other non-residential use).

Some states do not allow the exclusion or limitation of incidental or consequential damages, or limitations on how long an implied warranty lasts, so the above exclusions or limitations may not apply to you.

This limited warranty gives you specific legal rights, and you may also have other rights which vary from state to state.

For customer assistance, contact your nearest authorized dealer, or contact us at:

TROY-BILT LLC, P.O. Box 361131, Cleveland, Ohio 44136-0019, 1-866-840-6483